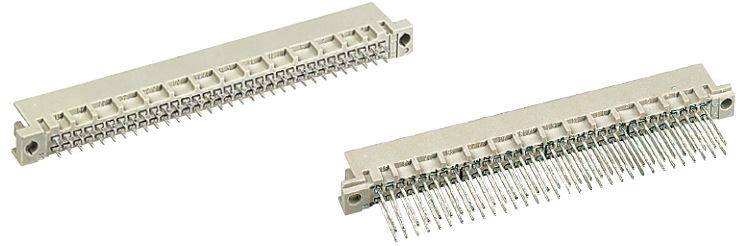


Number of contacts

64

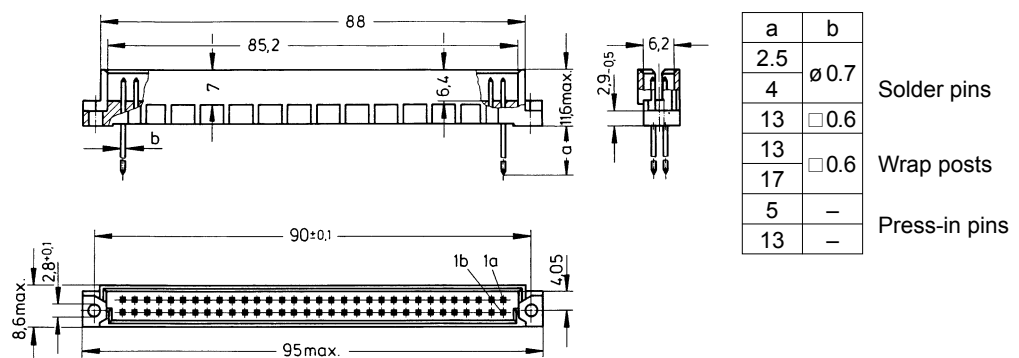


Male connectors

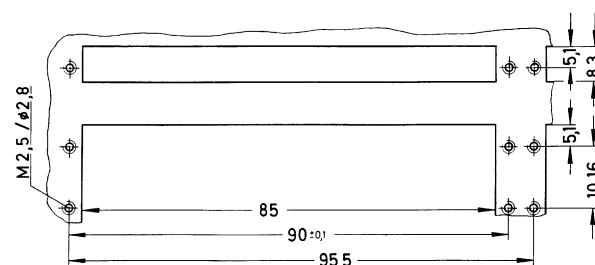
Identification	No. of contacts	Contact arrangement	Part number	Performance levels according to IEC 60603-2. Explanation chapter 00
			3	2 1
Male connector with solder pins 2.5 mm	64		09 72 164 7902	09 72 164 6902 09 72 364 6902 ^{b)}
	4.0 mm		09 72 164 7903	09 72 164 6903
	13 mm			09 72 164 6577
Male connector with wrap posts ¹⁾	13 mm		09 72 164 7907	09 72 164 6907
	17 mm			09 72 164 6909
Male connector with press-in pins	64			09 72 164 6904
	62 + 2 [▲]			09 72 164 6954
	64			09 72 164 6985 ^{w)} 09 72 164 6974* 09 72 164 6995 ^{w)}

Performance level 1 on request

Dimensions

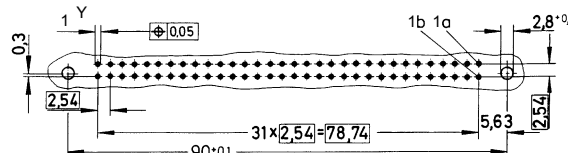


Panel cut out



Board drillings

Mounting side



	Y
Solder	1 ± 0.1
Press-in	see recommendation page 00.25

Dimensions in mm

Other contact arrangements as well with lagging/leading pins on request
[▲] Male connectors with 2 leading contacts (0.8 mm) pos. a1 and a32/a16
^{*} Wrap posts for interfacing selectively gold plated (performance level 3)

¹⁾ To be used only for wire wrap termination
^{b)} Connectors with snap-in clips see chapter 00
^{w)} Wrap posts not for interfacing, no performance level