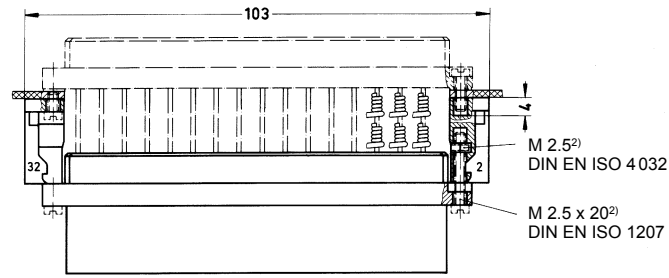


Identification

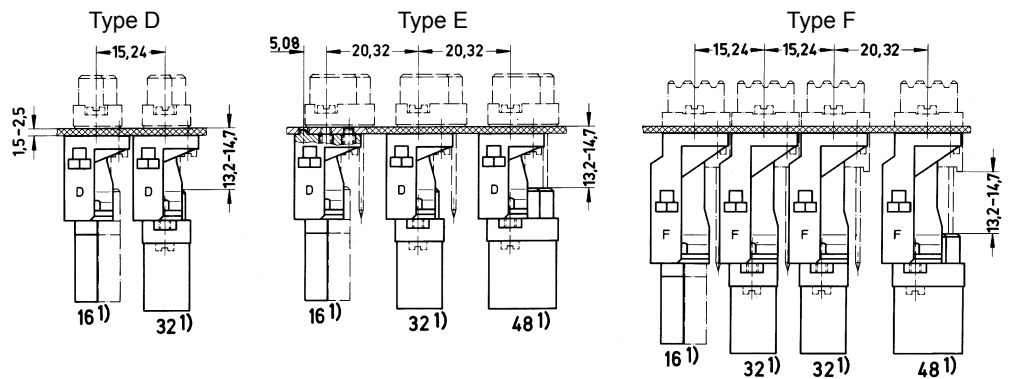
Drawing

Dimensions in mm

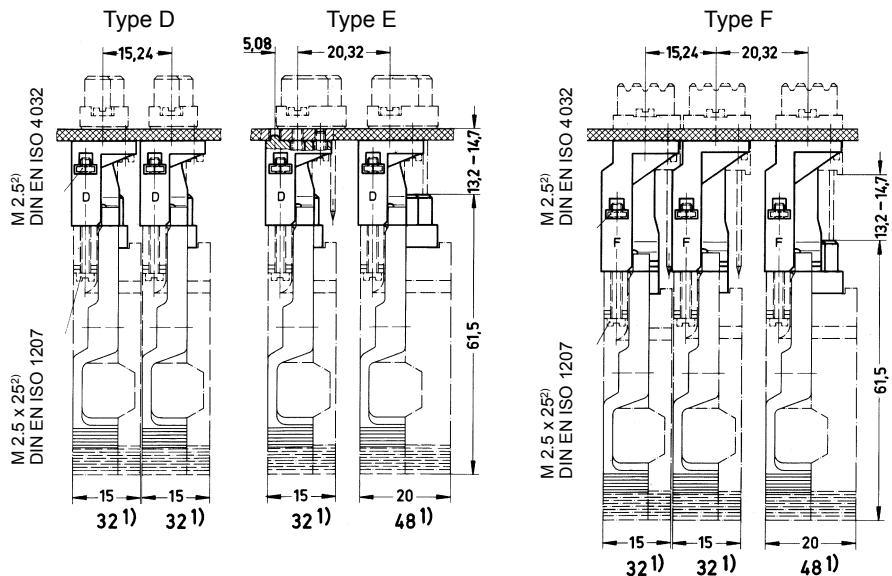
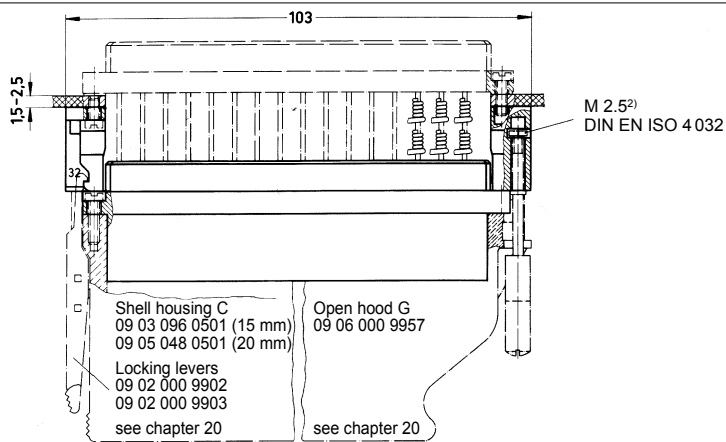
Mounting examples
of piggyback
connectors



without housings



with housings



DIN Power
up to 6 A

1) Number of contacts piggyback connector
2) Doesn't belong to the scope of supply