
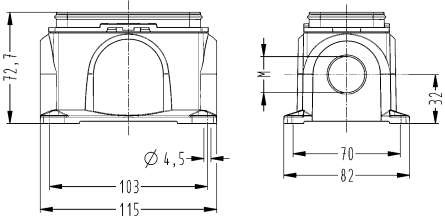

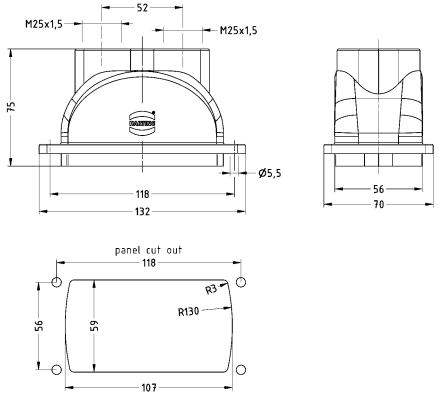



Yellock

Identification	Cable entry	Part number	Drawing (dimensions in mm)
<p>Han-Yellock®, Surface mounted housing, incl. bulkhead mounted housings, Side entry, IP65, IP67</p> 	<p>1x M25 1x M32 1x M40 2x M25 2x M32 2x M40</p>	<p>11 12 600 1211 11 12 600 1212 11 12 600 1213 11 12 600 1215 11 12 600 1216 11 12 600 1217</p>	
<p>Han-Yellock®, Panel feed through housing, Top entry, IP65, IP67</p> 	<p>1x M32 2x M25</p>	<p>11 12 600 1702 11 12 600 1711</p>	
<p>Han-Yellock®, Protection cover, for bulkhead mounted housings, Thermoplastic, IP65, IP67</p> 		<p>11 12 600 5401</p>	