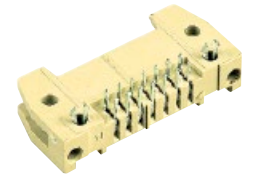


Number of contacts

# 6-64



SMC male header with angled solder pins and board lock

Identification

Drawing

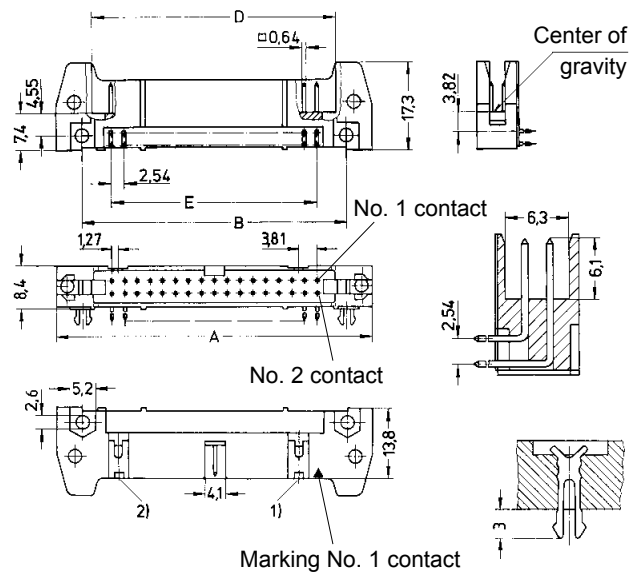
Dimensions in mm

SMC male header

| No. of contacts | A     | B     | D     | E                 | F     | G     |
|-----------------|-------|-------|-------|-------------------|-------|-------|
| 6               | 26.9  | 16.76 | 12.45 | 2.54 x 2 = 5.08   | 36.9  | 40.3  |
| 10              | 32.0  | 21.84 | 17.53 | 2.54 x 4 = 10.16  | 42.0  | 45.4  |
| 14              | 37.1  | 26.92 | 22.61 | 2.54 x 6 = 15.24  | 47.1  | 50.4  |
| 16              | 39.6  | 29.46 | 25.15 | 2.54 x 7 = 17.78  | 49.6  | 53.0  |
| 20              | 44.7  | 34.54 | 30.23 | 2.54 x 9 = 22.86  | 54.7  | 58.1  |
| 24              | 49.8  | 39.62 | 35.91 | 2.54 x 11 = 27.94 | 59.8  | 63.2  |
| 26              | 52.3  | 42.16 | 37.85 | 2.54 x 12 = 30.48 | 62.3  | 65.7  |
| 30              | 57.7  | 47.24 | 43.83 | 2.54 x 14 = 35.56 | 68.2  | 68.6  |
| 34              | 62.5  | 52.32 | 48.01 | 2.54 x 16 = 40.64 | 72.5  | 75.8  |
| 40              | 70.1  | 59.94 | 55.63 | 2.54 x 19 = 48.26 | 80.1  | 83.5  |
| 50              | 82.8  | 72.64 | 68.33 | 2.54 x 24 = 60.96 | 92.8  | 96.2  |
| 60              | 95.5  | 85.34 | 81.03 | 2.54 x 29 = 73.66 | 105.5 | 108.9 |
| 64              | 100.6 | 90.42 | 86.11 | 2.54 x 31 = 78.74 | 110.6 | 113.9 |

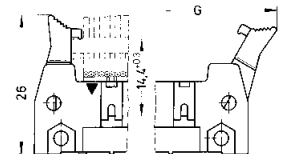
**Short levers**

for use with female connector without strain relief clamp

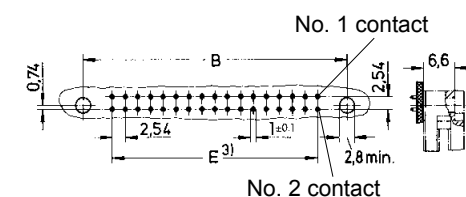


**Long levers**

for use with female connector with strain relief clamp



Board drillings



For accessories see page 08.48

1) No polarization slot for 6, 10 or 14 way male header

2) No polarization slot for 6 way male header

3) Pitch tolerance: ± 0.1