

Number of contacts 9, 15, 25, 37
UL recognized

Working current 5 A

Test voltage $U_{r.m.s.}$ 1 kV

Clearance and creepage ≥ 1.0 mm

Contact resistance < 25 m Ω
Insulation resistance > 5 G Ω

Temperature range as per profile JEDEC 020 D

Terminations Solder pins for P.C.B. pads

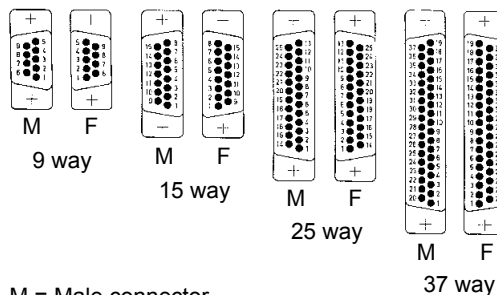
Materials
Mouldings LCP black
UL 94-V0
Contacts Phosphorus bronze
Grounding die Zamac
Shell Steel

Contact surface
Contact zone selectively plated
acc. to performance level¹⁾
Grounding die Pure tin
Shell Nickel plated

Mating force

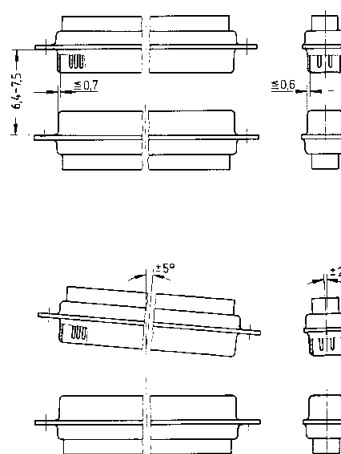
9 way	≤ 30 N
15 way	≤ 50 N
25 way	≤ 83 N
37 way	≤ 123 N

Contact arrangement View from termination side



M = Male connector
F = Female connector

Mating conditions as per DIN 41 652



¹⁾ Performance level 3, 50 mating cycles, no gas test
Performance level 2 as per CECC 75301-802, 250 mating cycles, 4 days 4 mixed gas test – IEC 60512