

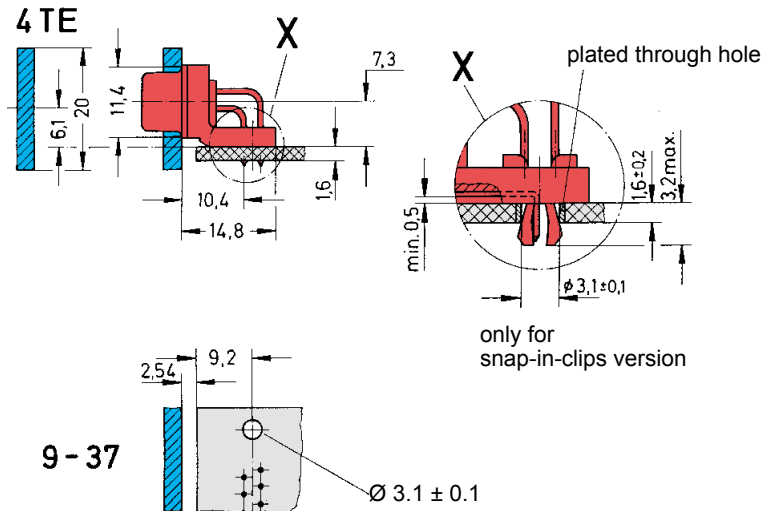
Identification

Drawing

Dimensions in mm

**Standard Versions**

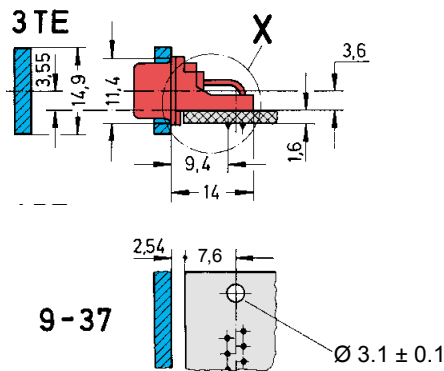
Mounting height 7.3 mm  
 9-37 way  
 for front panel  
 4 units of width (TE)



for connectors see pages 05.180 – 05.181

**Low-Profile Versions**

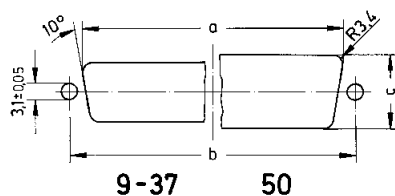
Mounting height 3.6 mm  
 9-37 way  
 for front panel  
 3 units of width (TE)



for connectors see pages 05.182 – 05.183

**Panel cut out for front/rear mount**

Values are taken from the CECC 75301-802



Front mount

	a $\pm 0.2$	b $\pm 0.13$	c $\pm 0.2$
9	22.2	25.0	12.3
15	30.5	33.3	12.3
25	44.3	47.0	12.3
37	60.7	63.5	12.3
50	58.3	61.1	15.1

Rear mount

	a $\pm 0.2$	b $\pm 0.13$	c $\pm 0.2$
9	20.5	25.0	11.4
15	28.8	33.3	11.4
25	42.5	47.0	11.4
37	59.1	63.5	11.4
50	56.3	61.1	14.1

D-Sub