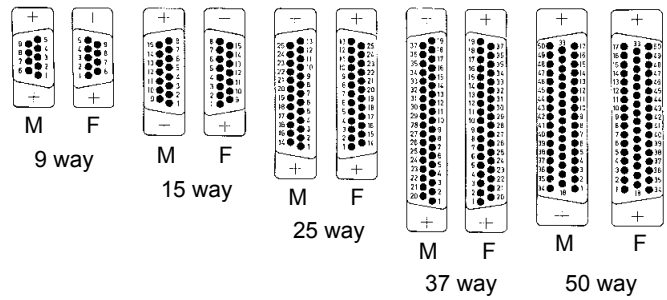


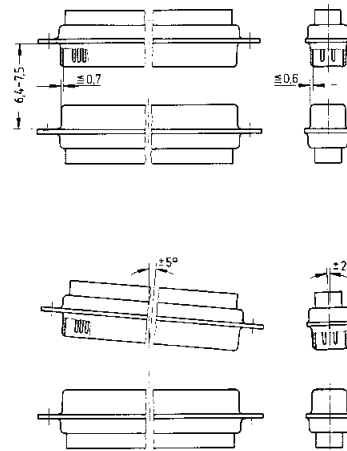
Number of contacts	9, 15, 25, 37, 50 UL recognized
Working current	5 A
Test voltage	1200 V for 1 minute between 2 contacts / contact and shell
Clearance and creepage	≥ 1.0 mm
Contact resistance	Straight contact ≤ 10 mΩ Angled contact ≤ 25 mΩ Angled contact 50-pole ≤ 35 mΩ
Insulation resistance	between contacts ≥ 5000 MΩ
Dielectric strength	50 kV/mm
Temperature range	-25 °C ... +70 °C
Protection	IP67 (per DIN 40050 / IEC 529)
Termination	Solder cup max. AWG 20 Solder pin straight 0.6 mm diameter Solder pin angled 0.6 mm diameter
Material	Shell Brass, tin plated Insulator and plastic watertight frame Thermoplastic, glass-fibre filled, UL 94-V0 Metal watertight frame Nickel plated zinc die cast Contact material Machined copper alloy
Contact surface	Contact zone S4 = 0.76 μm (30 μinch) Au or PdNi equivalent
Waterproofing element	Silicone
Mechanical	Mating cycles ≥ 500 Mating force per signal contact ≤ 3.4 N Unmating force per signal contact ≥ 0.2 N

Contact arrangement View from termination side



M = Male connector
F = Female connector

Mating conditions as per DIN 41 652



D-Sub