

X-coding
Mating face
acc. to IEC 61 076-2-101

Ha-VIS preLink® M12 connector
X-coding

Advantages

- M12 Ethernet-Data connector suitable for industry
- Robust design
- 360° shielding
- Category of transmission Cat. 6A
- Suitable for solid and stranded wires
- Suitable for PoE (IEEE 802.3af) and PoE+ (IEEE 802.3at)

Technical characteristics

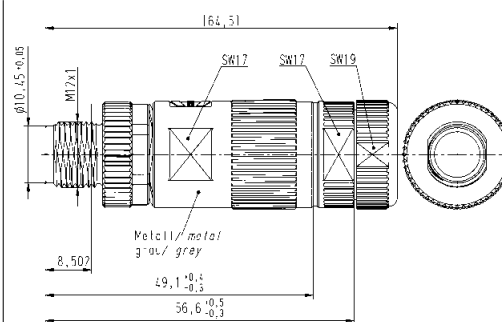
Connector type	M12 X-coding acc. to IEC 61 076-2-101
Number of contacts	8
Transmission category	Category 6A, Class EA, suitable for 1/10 Gigabit Ethernet
Transmission performance	Category 6A / Class EA up to 500 MHz acc. to ISO/IEC 11 801:2002, EN 50 173-1
Transmission rate	10/100 Mbit/s and 1/10 Gbit/s
Shielding	fully shielded, 360° shielding contact
Mounting	IDC termination
Cable termination for preLink® Connectable cables	terminal module, yellow, 20 82 000 0001
– Conductor cross section	AWG 23 ... AWG 22 (solid and stranded)
– Conductor diameter	1.3 ... 1.6 mm
Cable termination for preLink® Connectable cables	terminal module, white, 20 82 000 0003
– Conductor cross section	AWG 27 ... AWG 26 (solid and stranded)
– Conductor diameter	0.8 ... 1.1 mm
Cable diameter	5 ... 9 mm
Degree of protection	IP65 / IP67
Mating cycles	min. 750
Temperature range	-40 °C ... +70 °C
Housing material	Zinc die-cast, nickel-plated

Identification	Part number	Drawing	Dimensions in mm
----------------	-------------	---------	------------------

preLink® M12 housing



20 82 000 1210

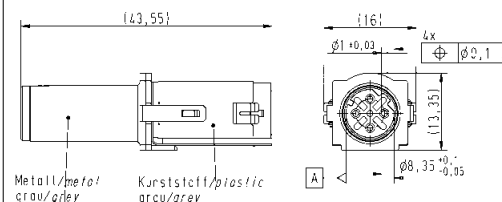


preLink® M12 male module

Male
8 poles,
X-coding



20 82 006 1218



preLink® M12 connector set

X-coding

20 82 005 0002

Ha-VIS preLink® RJ45 terminal module

AWG 22/23, yellow¹⁾
AWG 26/27, white¹⁾

20 82 000 0001
20 82 000 0003

Ha-VIS preLink® assembly tool

20 82 000 9901