

Identification

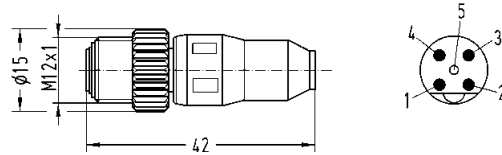
Part number

Drawing

M12-male moving load
A-coding



21 03 030 1400



HARTING M12 T-Coupler

Profibus
A-coding

21 03 321 9400
21 03 319 9501



Crimping tool for M12 Crimp

09 99 000 0501



Accessories M12 Crimp

Locator

for D-Sub contacts

09 99 000 0531

for contact 21 01 100 9020

61 03 600 0023



D-Sub single contacts
(500 mating cycles)

turned male contacts

AWG 22 - 18 / 0.33 - 0.82 mm² 09 67 000 3576
AWG 24 - 20 / 0.25 - 0.52 mm² 09 67 000 8576
AWG 26 - 22 / 0.13 - 0.33 mm² 09 67 000 5576
AWG 28 - 24 / 0.09 - 0.25 mm² 09 67 000 7576



turned female contacts

AWG 22 - 18 / 0.33 - 0.82 mm² 09 67 000 3476
AWG 24 - 20 / 0.25 - 0.52 mm² 09 67 000 8476
AWG 26 - 22 / 0.13 - 0.33 mm² 09 67 000 5476
AWG 28 - 24 / 0.09 - 0.25 mm² 09 67 000 7476

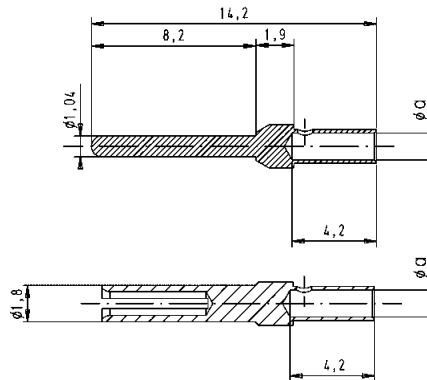


turned male contact for 8 pole connectors, A-coding, AWG 26 - 22

21 01 100 9020

D-Sub contacts

Part number	AWG	Tool settings
09 67 000 3x76	18	6
	20	6
	22	5
09 67 000 8x76	20, 22, 24	6
09 67 000 5x76	22, 24, 26	6



	a
AWG 22 - 18	1.34
AWG 24 - 20	1.13
AWG 26 - 22	0.88

M12 dynamometric screwdriver

Tightening torque 0.6 Nm

for M12-S SW 13 09 99 000 0382
for M12 Slim design SW 15 09 99 000 0646
for M12-L SW 17 09 99 000 0384

