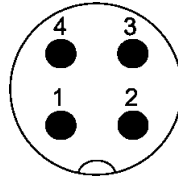




Mating face



A-coding
Mating face
acc. to IEC 61076-2-101



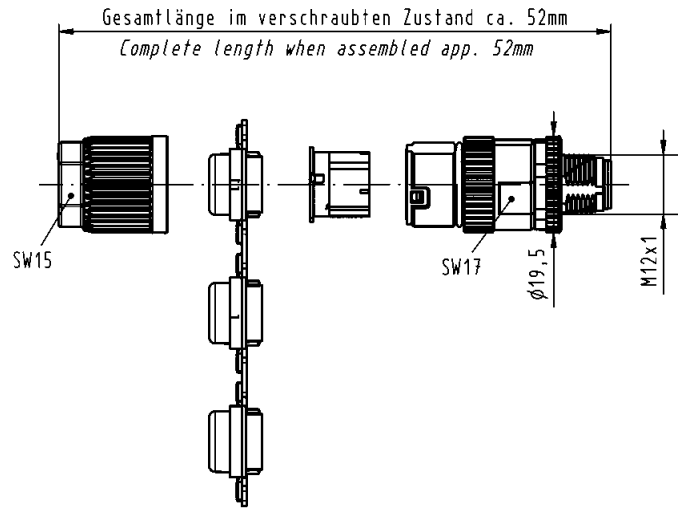
Identification	Part number	Drawing	Dimensions in mm
----------------	-------------	---------	------------------

HARAX® M12-L, shielded



Male
4 poles, A-coding
0.14 - 0.34 mm² / AWG 26 - 22

21 03 221 1405



M12 Circular connector



Male
with IDC termination technology,
8 poles
0.14 - 0.34 mm² / AWG 26 - 22

21 03 121 1801

