
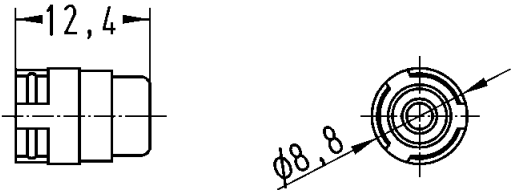

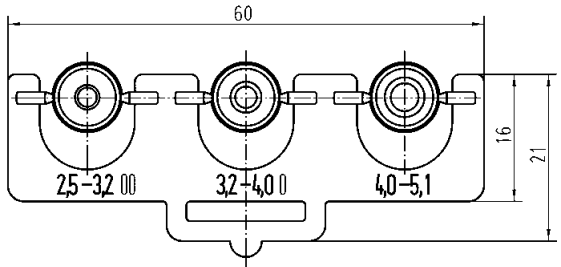


Identification	Part number	Drawing	Dimensions in mm
<p><b>Seal M8</b></p> <p>for 1.9 - 2.5 mm cable Ø for 2.5 - 3.5 mm cable Ø for 4.2 - 5.4 mm cable Ø</p> 	<p>21 01 010 2016 21 01 010 2008 21 01 010 2005</p>		
<p><b>Set of seals for HARAX® M8-S</b></p> <p>for 2.5 - 3.2 mm cable Ø for 3.2 - 4.0 mm cable Ø for 4.0 - 5.1 mm cable Ø</p> 	<p>21 01 010 2013</p>		
<p><b>M8 dynamometric screwdriver</b></p> <p>Tightening torque 0.4 Nm</p>	<p>SW 9      09 99 000 0380</p>	