
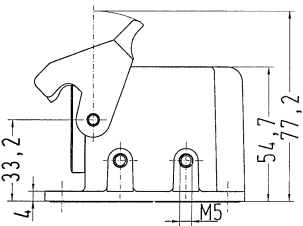

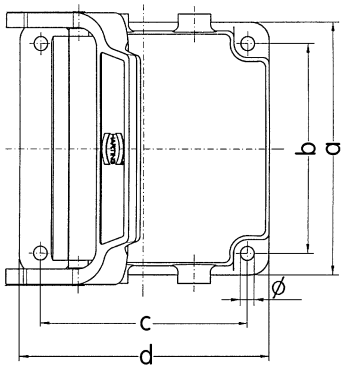



Single locking lever

Housings

Identification	Part number	Drawing (dimensions in mm)
<p>Han-Drive®, Housing for motor application, Han-Easy Lock®, IP65</p> 	<p>09 30 410 0901 09 30 410 0909 09 30 410 0921</p>	
<p>Han-Drive®, Housing for motor application, With thermo-plastic cover, Han-Easy Lock®, IP65</p> 	<p>09 30 410 0951 09 30 410 0960 09 30 410 0970 09 30 410 0971 09 30 410 0974 09 30 410 0983</p>	
<p>Han-Drive®, Housing for motor application, Powder-coated, Han-Easy Lock®, IP65</p> 	<p>09 30 010 0901 09 30 010 0902</p>	