
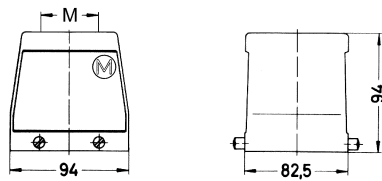

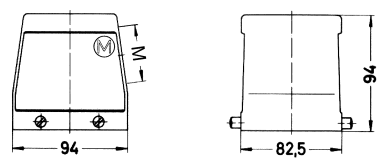

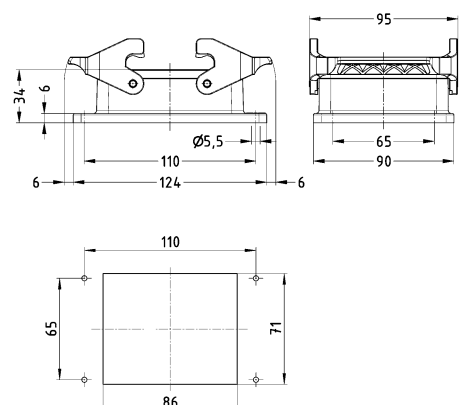



Standard hoods/housings for industrial connectors
Double locking lever

Identification	Cable entry	Part number		Drawing (dimensions in mm)	
		Low construction	High construction		
Han® B, Hood, Top entry, IP65 	1x M32 1x M40 1x M50		19 30 032 0427 19 30 032 0428 19 30 032 0429		
Han® B, Hood, Side entry, IP65 	1x M32 1x M40 1x M50		19 30 032 0527 19 30 032 0528 19 30 032 0529		
Han® B, Bulkhead mounted housing, Han-Easy Lock®, IP65 		09 30 032 0301		 <p>Panel cut out</p>	
Han® B, Surface mounted housing, Side entry, Han-Easy Lock®, IP65 	1x M32 2x M32 2x M40		19 30 032 0232 19 30 032 0272 19 30 032 0273	