
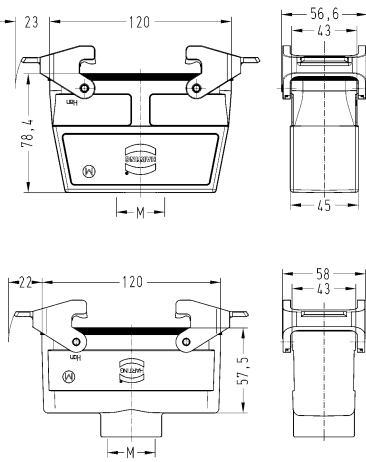

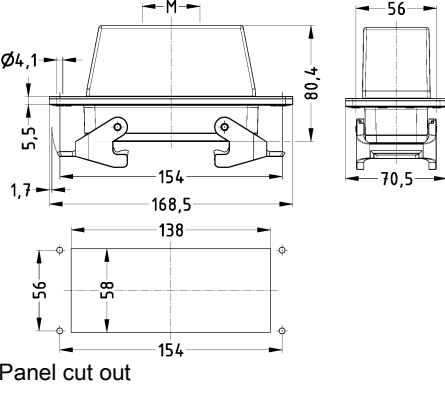

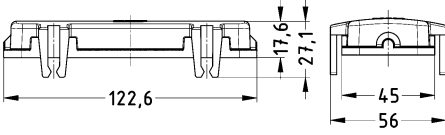

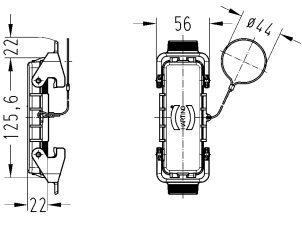


| Identification  | Cable entry              | Part number           |  | Drawing<br>(dimensions in mm)  |
|---|--------------------------|-----------------------|--|--|
|   |                          | Low construction      | High construction                        |  |
| <p>Han® B,<br/>Cable to cable housing,<br/>Top entry,<br/>Han-Easy Lock®,<br/>IP65</p>                               | <p>1x M32<br/>1x M40</p> | <p>19 30 024 1732</p> | <p>19 30 024 0737<br/>19 30 024 0738</p> |                        |
| <p>Han® B,<br/>Panel feed through housing,<br/>Top entry,<br/>Han-Easy Lock®,<br/>IP65</p>                          | <p>1x M32<br/>1x M40</p> |                       | <p>19 30 024 1121<br/>19 30 024 1122</p> |  <p>Panel cut out</p> |
| <p>Han® B,<br/>Protection cover,<br/>for hoods,<br/>Thermoplastic,<br/>With board locks,<br/>IP65</p>              |                          | <p>09 30 024 5401</p> | <p>09 30 024 5401</p>                    |                      |
| <p>Han® B,<br/>Protection cover,<br/>for hoods,<br/>Metal,<br/>With fixing cord,<br/>Han-Easy Lock®,<br/>IP65</p>  |                          | <p>09 30 024 5422</p> | <p>09 30 024 5422</p>                    |                      |