
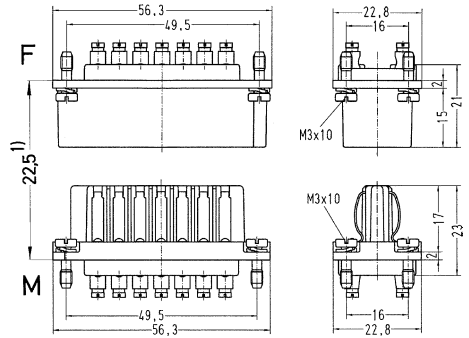
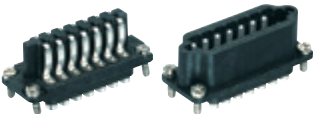
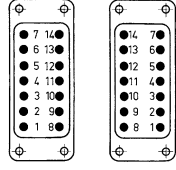
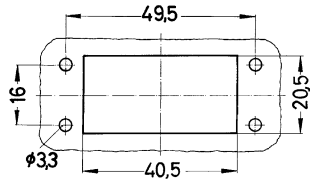


Number of contacts

14

10 A 25 V 0.8 kV 3

Staf

Identification	Conductor cross-section (mm ²)	Part number		Drawing (dimensions in mm)
		Male	Female	
Staf®, Screw termination, Contact surface: Silver plated 	1.5	09 70 014 2811	09 70 014 2614	 <p>1) distance for contact max. 24 mm</p>
Staf®, Solder termination, Contact surface: Silver plated 	2.5	09 70 014 2810	09 70 014 2613	 <p>14 7 13 6 12 5 11 4 10 3 9 2 8 1</p> <p>F M Contact arrangement (view from termination side)</p>  <p>Panel cut out for use without Hoods/Housings</p>