
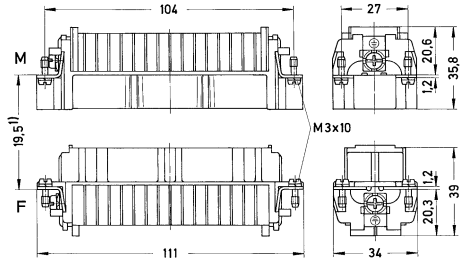
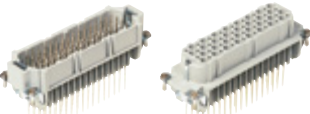
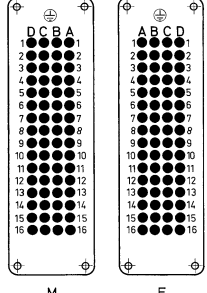
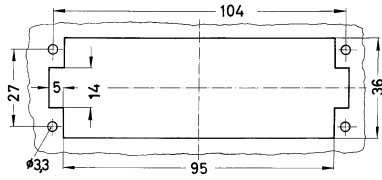


Number of contacts

64+

10 A 250 V 4 kV 3

Identification	Conductor cross-section (mm ²)	Part number		Drawing (dimensions in mm)
		Male	Female	
<p>Han D®, Crimp termination</p>  <p>Please order crimp contacts separately.</p>	0.14 ... 2.5	09 21 064 3001	09 21 064 3101	 <p>1) distance for contact max. 21 mm</p>
<p>Han D®, Wrap termination, Contact surface: Silver plated</p> 		09 21 064 2601	09 21 064 2701	 <p>16 15 14 13 12 11 10 9 8 7 6 5 4 3 2 1</p> <p>M F</p> <p>Contact arrangement (view from termination side)</p>  <p>Panel cut out for use without Hoods/Housings</p>