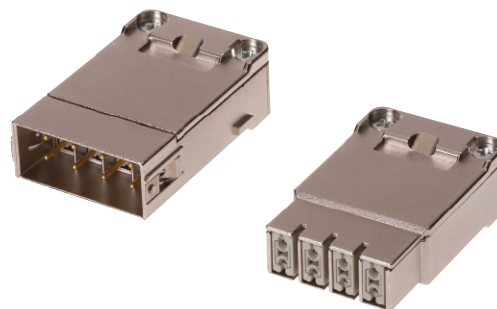


Number of contacts

8

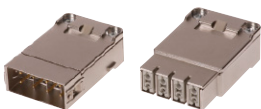
50 V
5 A
+ shielding



Identification	Wire gauge (mm ²)	Part number		Drawing	Dimensions in mm
		male	female		

Han-Modular®, Han® Gigabit Insert

Crimp terminal
Please order crimp contacts separately
Please order the adapter module separately

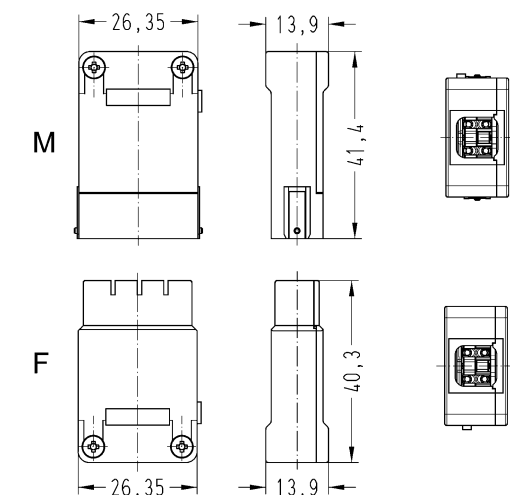


09 14 008 3011

09 14 008 3111

M

F



Contact arrangement (view from termination side)

Han-Modular®, Adapter module

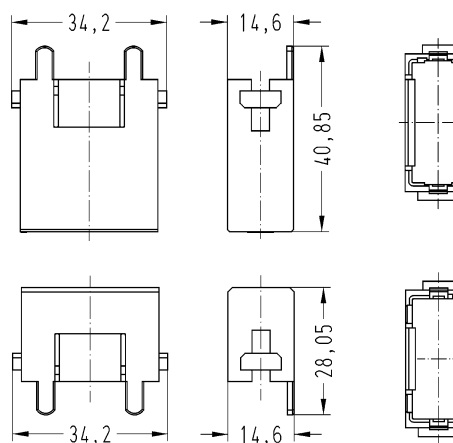


09 14 001 3011

09 14 001 3111

M

F



Han® D-Sub

crimp contact, turned contacts



0.09-0.25
0.13-0.33
0.25-0.52

09 67 000 7576
09 67 000 5576
09 67 000 8576

09 67 000 7476
09 67 000 5476
09 67 000 8476

Wire gauge	max. Insulation Ø	Stripping length
0.09-0.25 mm ²	1.7 mm	4 mm
0.13-0.33 mm ²	1.7 mm	4 mm
0.25-0.52 mm ²	1.7 mm	4 mm