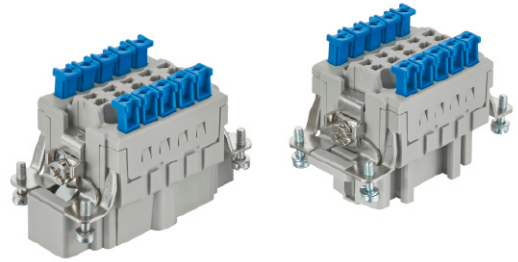


Number of contacts

10 + 



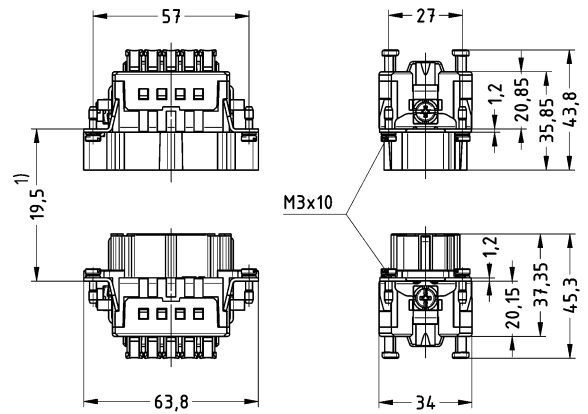
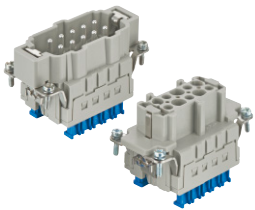
500 V 16 A

Identification	Part number		Drawing	Dimensions in mm
	Male insert (M)	Female insert (F)		

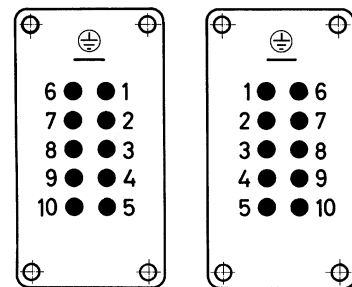
Han® 10 ES Press

09 33 010 2648

09 33 010 2748



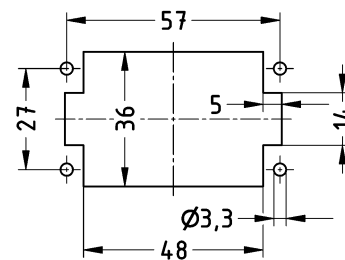
1) Distance for contacts max. 21 mm



M

F

Contact arrangement: view from termination side



Panel cut out