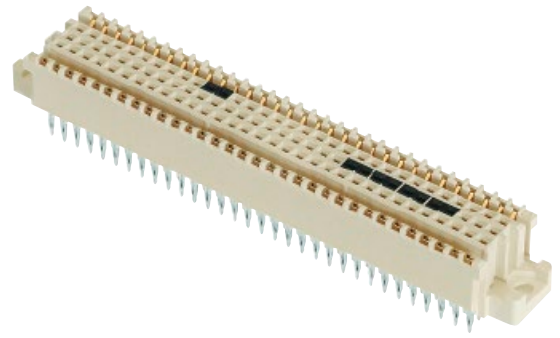


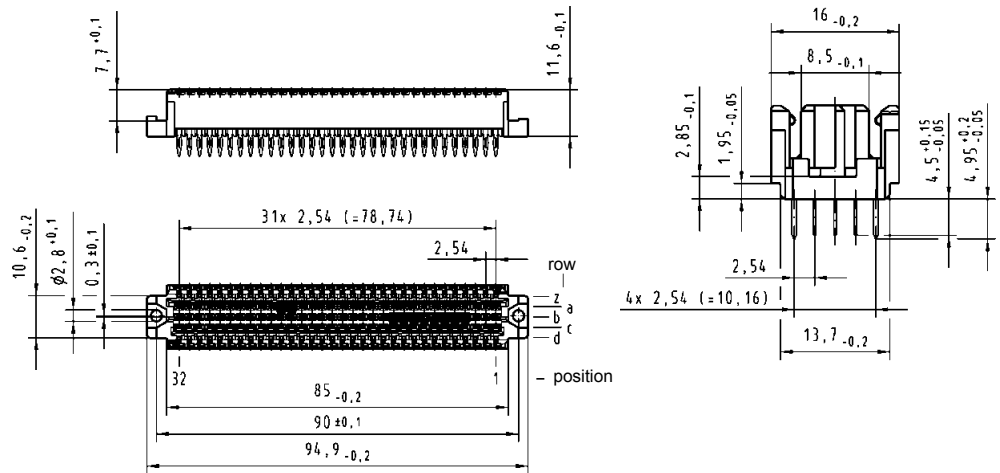
haribus[®] 64

Female connectors



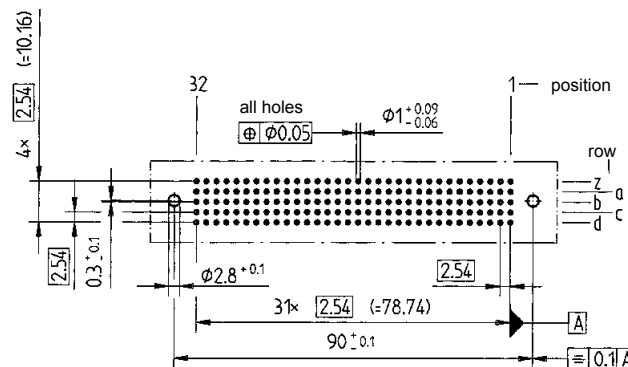
Identification	Number of contacts	Contact arrangement	Part number Performance level 2 according to IEC 61076-4-113
Female connectors, straight with switches ¹⁾ with press-in terminations with flange 4.5/5 mm	160	z, a, b, c, d	02 03 160 2201

Dimensions



Board drillings

Mounting side



Dimensions in mm

¹⁾ Switching elements at positions a21-22, b4-5, b6-7, b8-9 and b10-11
Further types see DIN 41612 catalogue