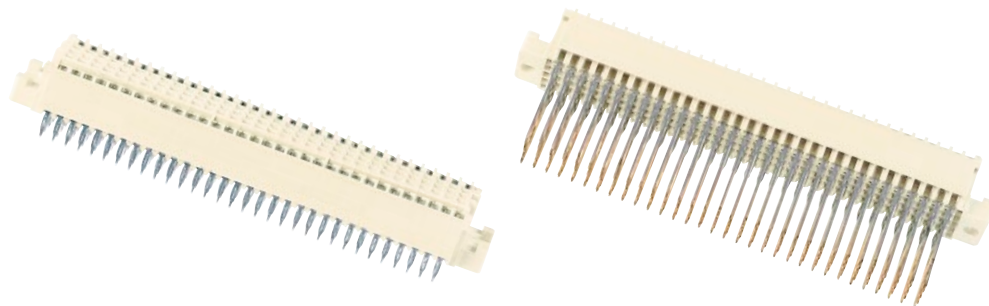


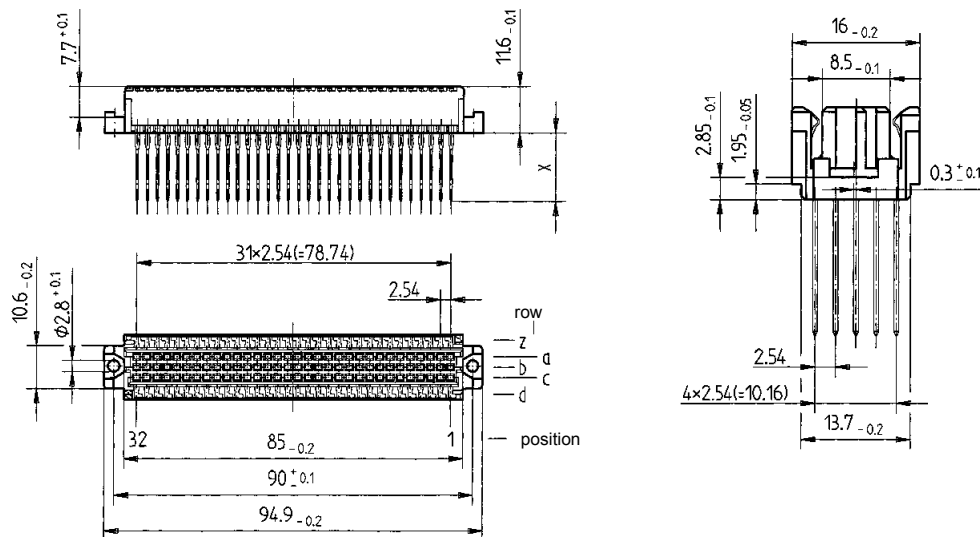
## harbus® 64

### Female connectors



Identification	Number of contacts	Contact arrangement	Part number Performance levels according to IEC 61076-4-113	
			2	1
Female connectors, straight with press-in terminations				
with 3.7 mm fixing flange	160	z, a, b, c, d		02 02 160 1601
4.5/5 mm	160	z, a, b, c, d	02 02 160 2201	02 02 160 1201
17 mm*	160	z, a, b, c, d	02 02 160 2301	02 02 160 1301
without 5 mm fixing flange	160	z, a, b, c, d	02 02 160 2202	02 02 160 1202
17 mm*	160	z, a, b, c, d	02 02 160 2302	02 02 160 1302

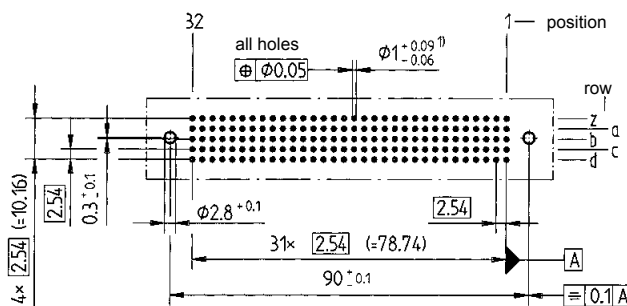
### Dimensions



Part number	Dimension "X" for row				
	z	a	b	c	d
02 02 160 1601	3.7	3.7	3.7	3.7	3.7
02 02 160 2201 / 02 02 160 1201	5.0	4.5	4.5	4.5	5.0
02 02 160 2301 / 02 02 160 1301	17.0	17.0	17.0	17.0	17.0
02 02 160 2202 / 02 02 160 1202	5.0	5.0	5.0	5.0	5.0
02 02 160 2302 / 02 02 160 1302	17.0	17.0	17.0	17.0	17.0

### Board drillings

#### Mounting side



Dimensions in mm