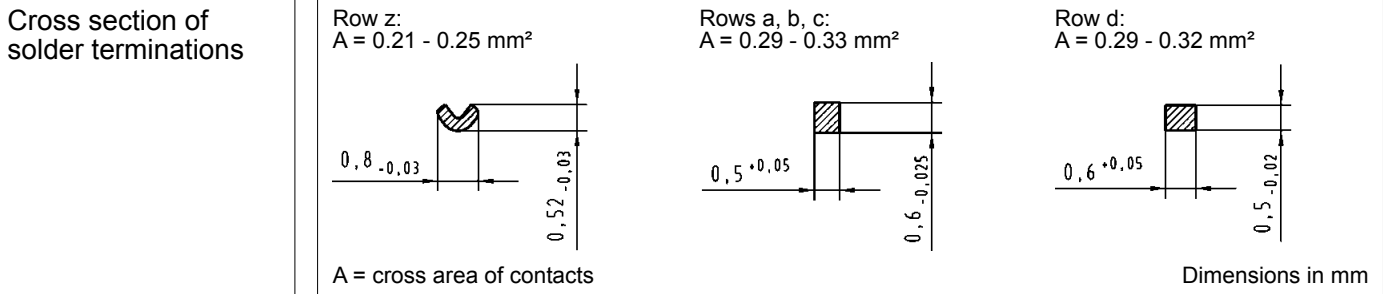
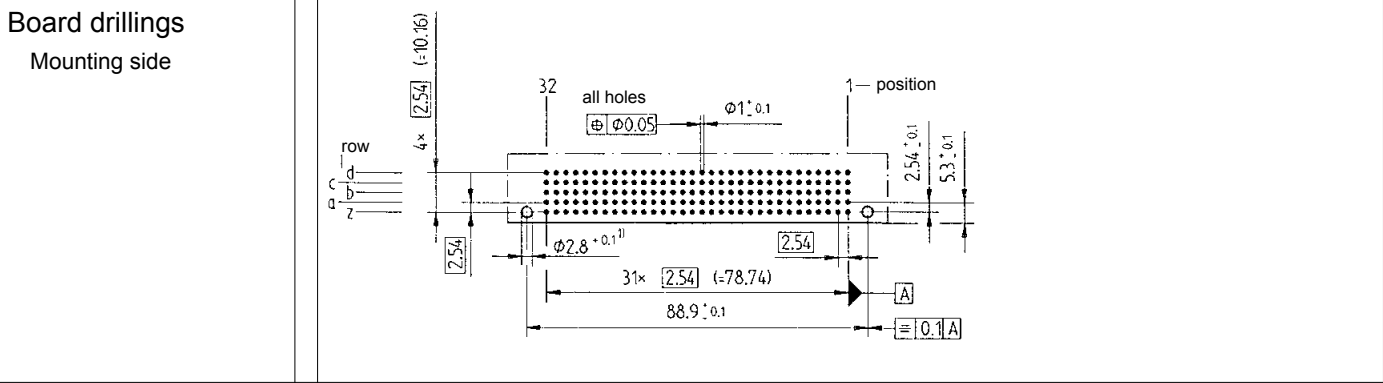
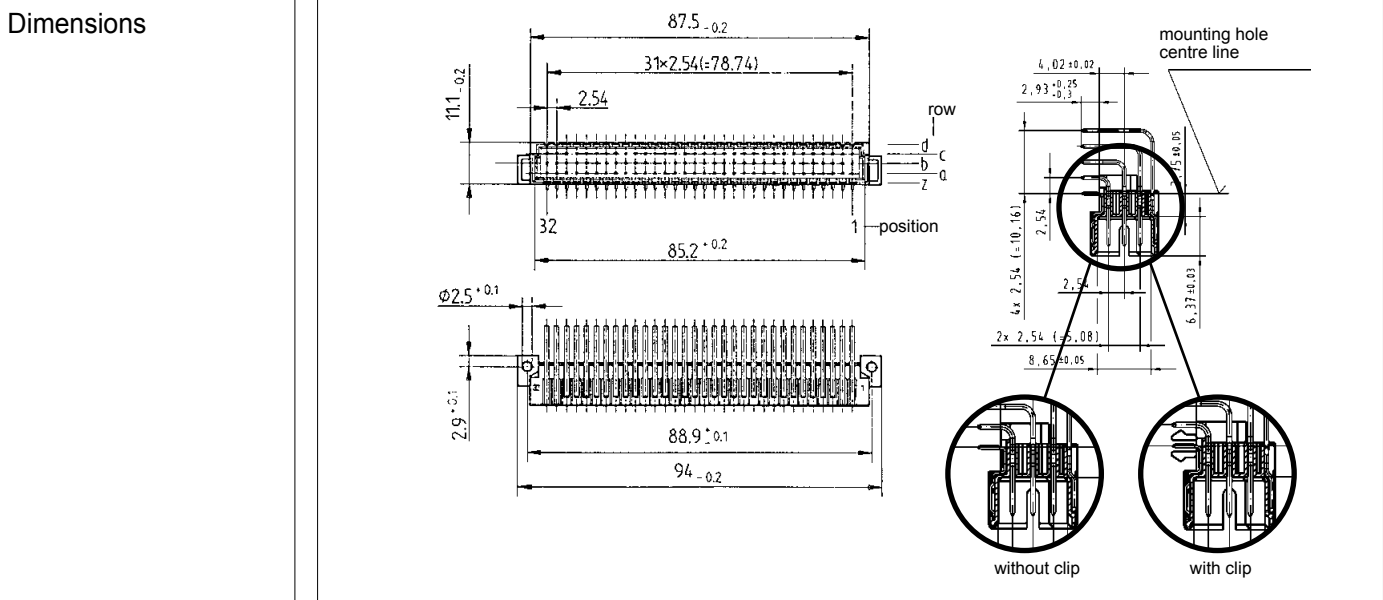


harbus[®] 64

Male connectors



Identification	Number of contacts	Contact arrangement	Part number	Performance levels according to IEC 61 076-4-113
Male connector* without retention clip	160	z, a, b, c, d	02 01 160 2101	2 1 02 01 160 1101 02 01 160 1105 ²⁾
Male connector* with retention clip	160	z, a, b, c, d	02 01 160 2102	2 1 02 01 160 1102 02 01 160 1106 ²⁾



* Pre-leading contacts at positions d1, d2, d31 and d32
¹⁾ Recommendation for variants with clip: Drillings can be enlarged up to 3.1 mm ϕ to reduce standard mounting force
²⁾ Special variant with min. 1.27 μ m (50 μ inch) Au and SnPb on termination