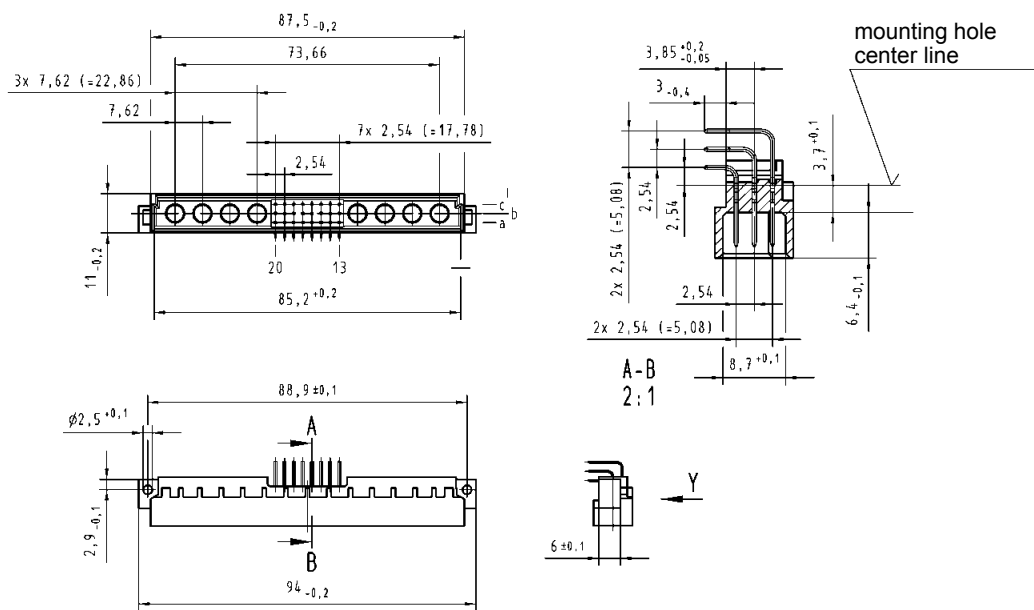


DIN 41612 Type M male connectors

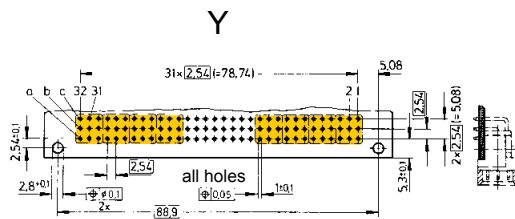
Identification	Number of contacts	Contact arrangement	Part Number	Performance levels according to IEC 60 603-2	
			3	2	1
Male connector with angled solder pins	24 + 8		09 03 124 7901	09 03 124 6901	09 03 124 2901

Dimensions



Order high current contacts separately, see page 00.44

Board drillings Mounting side



⚠ Board drillings depend on type and special contact loading

Dimensions in mm