

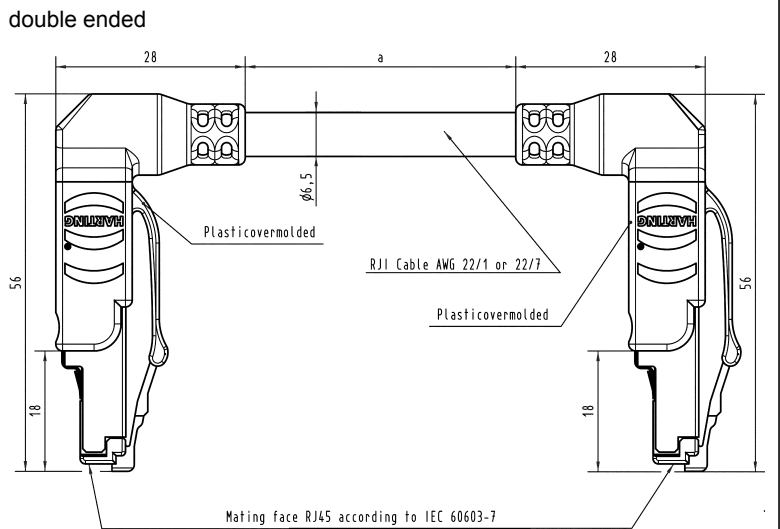


Identification	Part No.	Drawing	Dimensions in mm
----------------	----------	---------	------------------

HARTING RJ Industrial®
System cable
RJ45, angled, 4-wire
AWG 22/1, solid

Length: a = 1.5 m
 a = 3.0 m
 a = 5.0 m
 a = 10.0 m
 a = 20.0 m

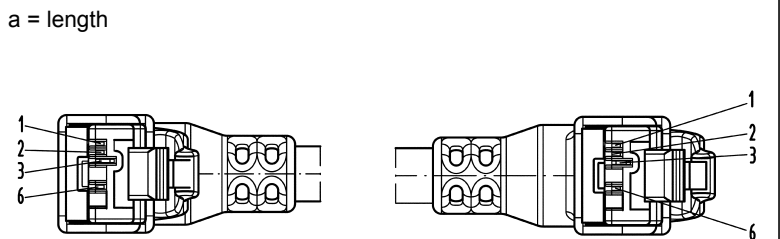
09 47 030 4003
 09 47 030 4005
 09 47 030 4007
 09 47 030 4012
 09 47 030 4014



HARTING RJ Industrial®
System cable
RJ45, angled, 4-wire
AWG 22/7, stranded

Length: a = 1.5 m
 a = 3.0 m
 a = 5.0 m
 a = 10.0 m
 a = 20.0 m

09 47 030 4025
 09 47 030 4027
 09 47 030 4029
 09 47 030 4034
 09 47 030 4036



HARTING RJ Industrial®
System cable
RJ45, angled, 4-wire
AWG 22/7, trailing

Length: a = 1.5 m
 a = 3.0 m
 a = 5.0 m
 a = 10.0 m
 a = 20.0 m

09 47 030 4047
 09 47 030 4049
 09 47 030 4051
 09 47 030 4056
 09 47 030 4058