

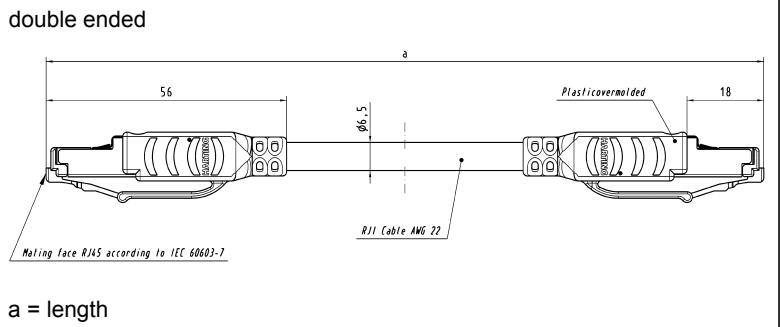


Identification	Part No.	Drawing	Dimensions in mm
----------------	----------	---------	------------------

**HARTING RJ Industrial®**  
System cable RJ45,  
4-wire  
AWG 22/1, solid

Length: a = 1.5 m  
a = 3.0 m  
a = 5.0 m  
a = 10.0 m  
a = 20.0 m

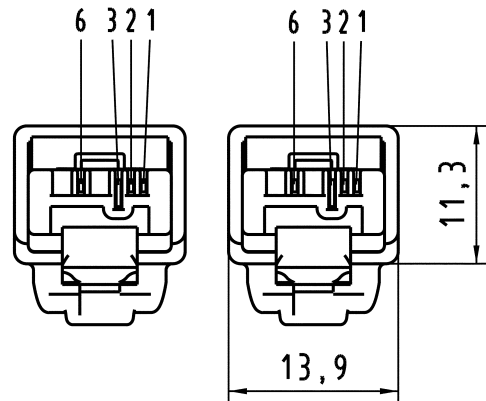
09 45 771 0023  
09 45 771 0025  
09 45 771 0027  
09 45 771 0051  
09 45 771 0053



**HARTING RJ Industrial®**  
System cable RJ45,  
4-wire  
AWG 22/7, stranded

Length: a = 1.5 m  
a = 3.0 m  
a = 5.0 m  
a = 10.0 m  
a = 20.0 m

09 45 771 1123  
09 45 771 1125  
09 45 771 1127  
09 45 771 1151  
09 45 771 1153



**HARTING RJ Industrial®**  
System cable RJ45,  
4-wire  
AWG 22/7, trailing

Length: a = 1.5 m  
a = 3.0 m  
a = 5.0 m  
a = 10.0 m  
a = 20.0 m

09 45 771 1164  
09 45 771 1166  
09 45 771 1168  
09 45 771 1173  
09 45 771 1175