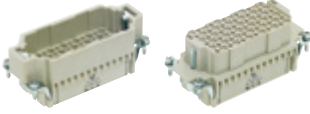
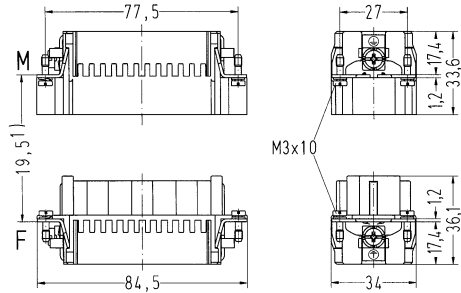
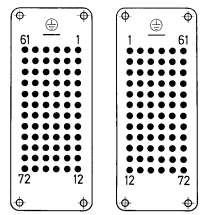
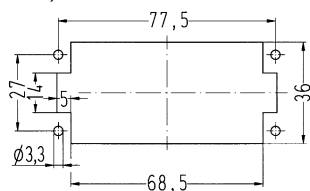


Number of contacts

72+

10 A 250 V 4 kV 3

Identification	Conductor cross-section (mm ²)	Part number		Drawing (dimensions in mm)
		Male	Female	
Han DD [®] HMC, Crimp termination  Please order crimp contacts separately.	0.14 ... 2.5	09 16 272 3001	09 16 272 3101	 <p>1) distance for contact max. 21 mm</p>  <p>M F</p> <p>Contact arrangement (view from termination side)</p>  <p>Panel cut out for use without Hoods/Housings</p>

Han HMC

Han 16 · 44