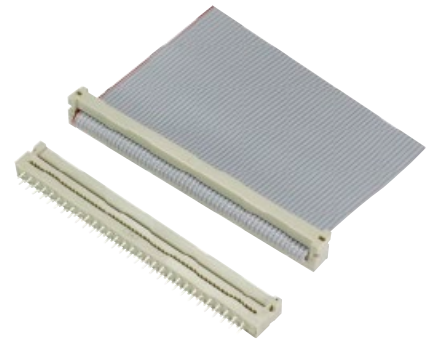


Number of contacts

**4-64**



Pcb transition connector,  
2 rows with strain relief clamp, low-profile with 5.5 mm height

Identification      No. of contacts      Part No.      Drawing      Dimensions in mm

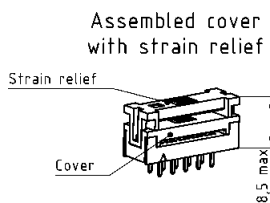
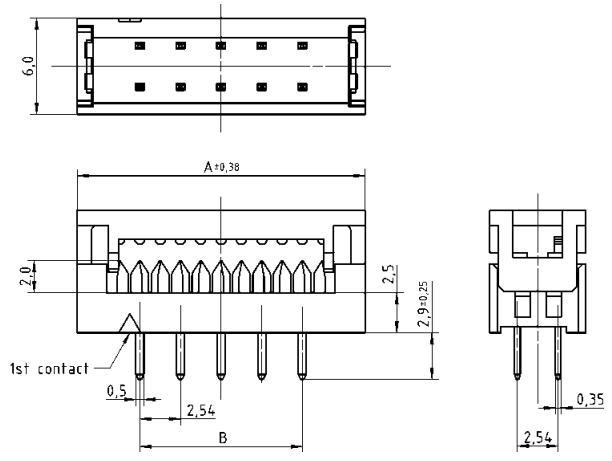
Pcb transition connector<sup>1)</sup>  
2 rows  
with strain relief clamp  
Standard low-profile  
version

No. of contacts	Part No.
4	09 18 104 9623*
6	09 18 106 9623*
8	09 18 108 9623*
10	09 18 110 9623*
14	09 18 114 9623*
16	09 18 116 9623*
20	09 18 120 9623*
24	09 18 124 9623*
26	09 18 126 9623*
30	09 18 130 9623*
34	09 18 134 9623*
40	09 18 140 9623
50	09 18 150 9623*
60	09 18 160 9623
64	09 18 164 9623*

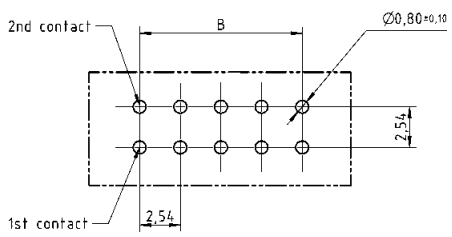
No. of contacts	A±0.38	B±0.10
4	10.38	2.54 x 1 = 2.54
6	12.92	2.54 x 2 = 5.08
8	15.46	2.54 x 3 = 7.62
10	18.00	2.54 x 4 = 10.16
14	23.08	2.54 x 6 = 15.24
16	25.62	2.54 x 7 = 17.78
20	30.74	2.54 x 9 = 22.86
24	35.78	2.54 x 11 = 27.94
26	38.32	2.54 x 12 = 30.48
30	43.40	2.54 x 14 = 35.56
34	48.48	2.54 x 16 = 40.64
40	56.10	2.54 x 19 = 48.26
50	68.80	2.54 x 24 = 60.96
60	81.50	2.54 x 29 = 73.66
64	86.58	2.54 x 31 = 78.74

Pcb transition connector<sup>1)</sup>  
2 rows  
with strain relief clamp  
Kinked low-profile version  
2 kinked pins  
at each extremity

No. of contacts	Part No.
4	09 18 104 9423*
6	09 18 106 9423*
8	09 18 108 9423*
10	09 18 110 9423*
14	09 18 114 9423*
16	09 18 116 9423*
20	09 18 120 9423*
24	09 18 124 9423*
26	09 18 126 9423*
30	09 18 130 9423*
34	09 18 134 9423*
40	09 18 140 9423
50	09 18 150 9423*
60	09 18 160 9423
64	09 18 164 9423*



Board drillings



\* Available on request  
1) Not released for halogen free flat cables