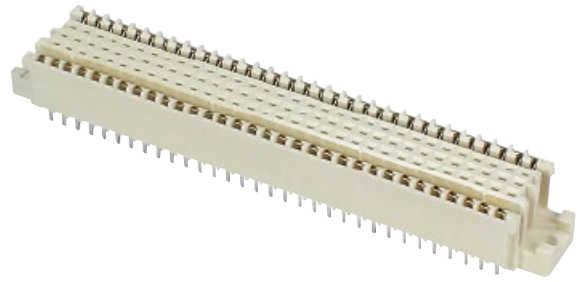


Number of contacts

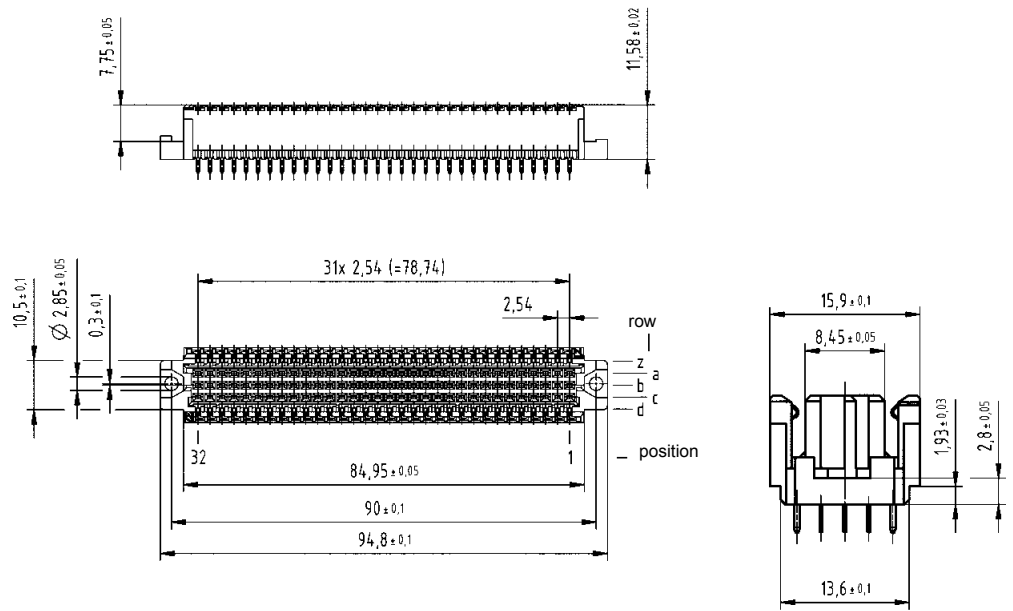
160



Female connectors

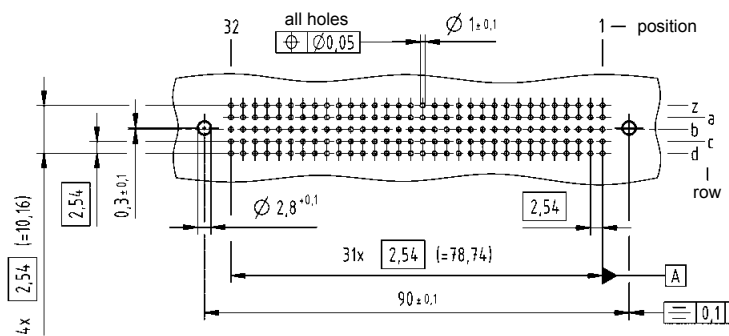
Identification	Number of contacts	Contact arrangement	Part No.	Performance levels according to IEC 61 076-4-113
Female connectors, straight with solder terminations 2.9 mm	160	z, a, b, c, d		1 02 02 160 2804

Dimensions



Board drillings

Mounting side



Dimensions in mm