

Number of contacts

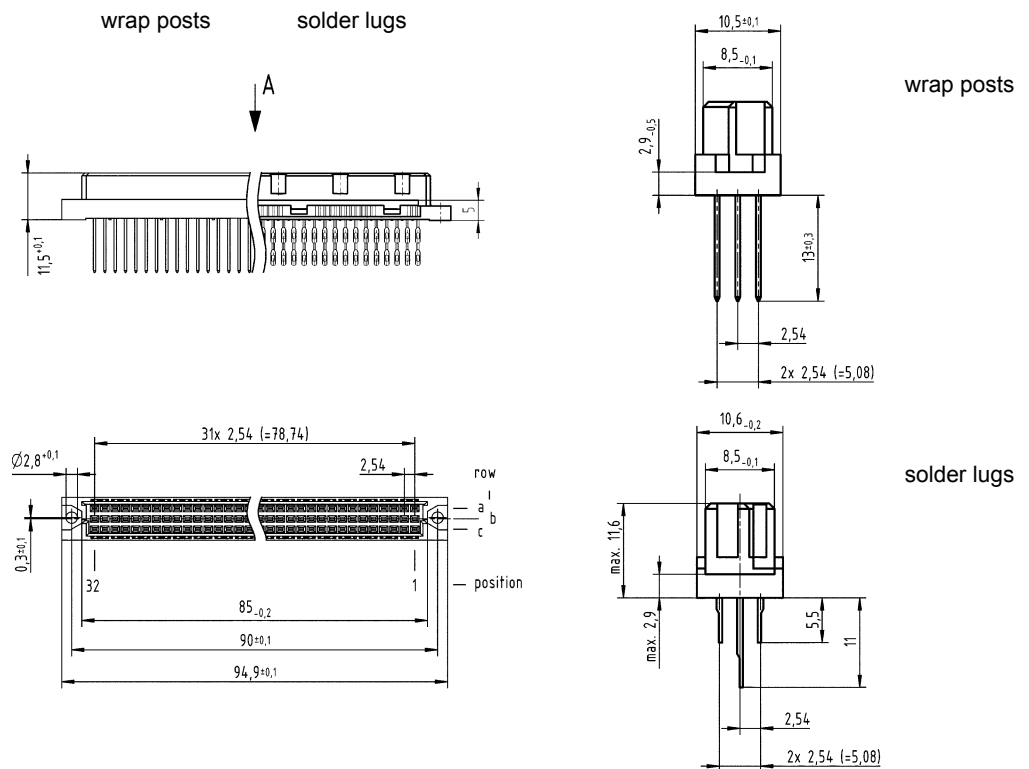
# 96, 64



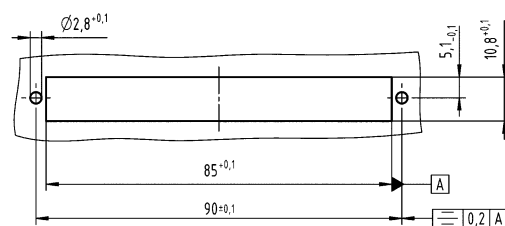
Female connectors

Identification	No. of contacts	Contact arrangement	Part number	Performance levels according to IEC 60603-2. Explanation chapter 00 2
Female connector with wrap posts <sup>2)</sup> 13 mm	96			09 03 296 6821 09 03 296 6878 <sup>1)</sup>
	64			09 03 264 6821 09 03 264 6878 <sup>1)</sup>
Female connector with solder lugs a + c 5.5 mm b 11 mm	96			09 03 296 6823
	64			09 03 264 6823

Dimensions



Panel cut out



Identification strips for female connectors with wrap posts  
09 03 000 9939

Dimensions in mm

<sup>1)</sup> Wrap posts for interfacing, selectively gold-plated (performance level 3)  
<sup>2)</sup> To be used only for wire wrap termination. Solder versions see page 01.22