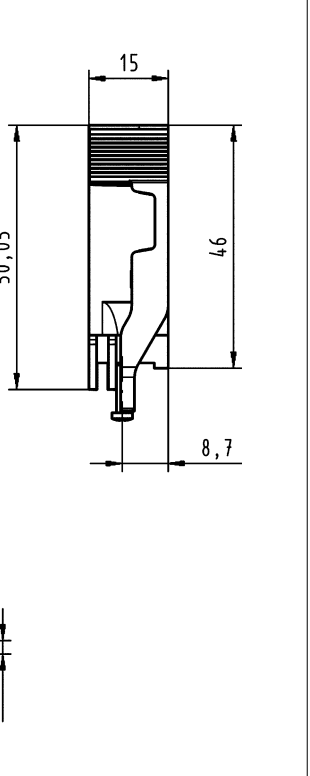
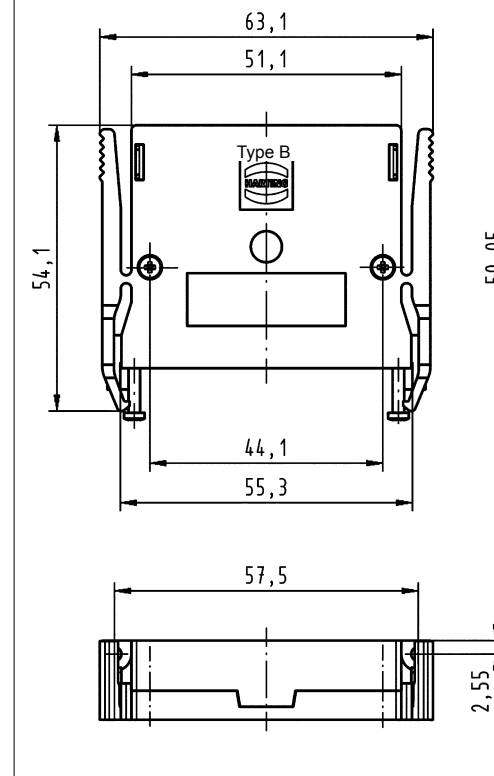


Identification	Part number	Drawing	Dimensions in mm
----------------	-------------	---------	------------------

Shell housing 2C for female connectors type 2C

Supplied with:
 Shell 1x
 Cover with 2 locking levers 1x
 Cable tie 1x
 Screw 2.2 x 9.5 4x (09 06 001 9974)

09 23 048 0501



Shell housings

Shell housing 3C for female connectors type 3C

Supplied with:
 Shell 1x
 Cover with 2 locking levers 1x
 Cable tie 1x
 Screw 2.2 x 9.5 4x (09 06 001 9974)

09 25 030 0501

