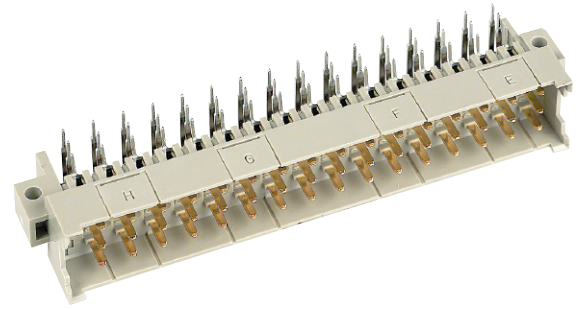


Number of contacts

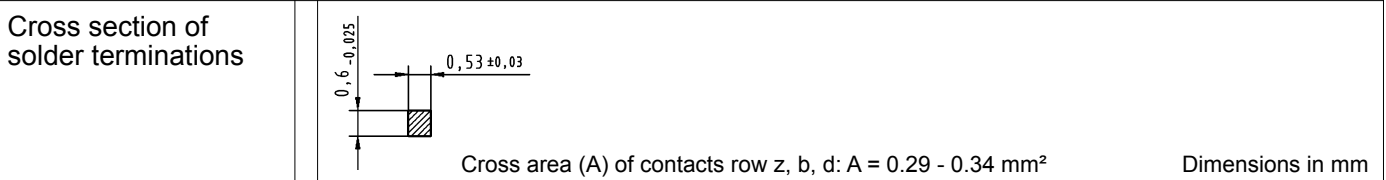
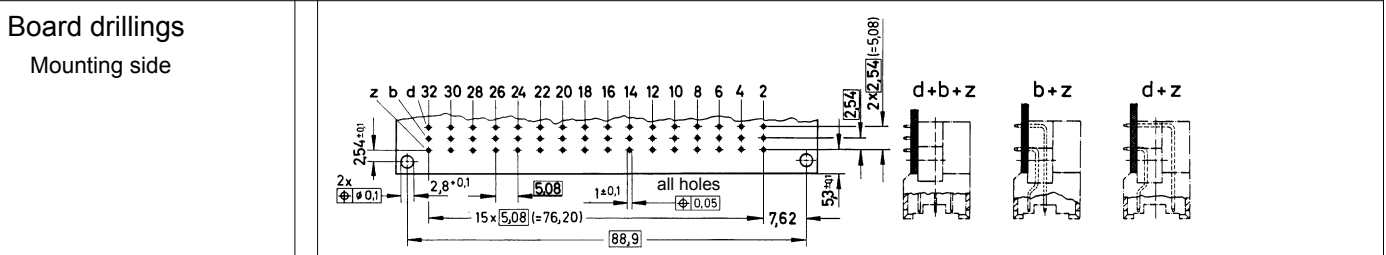
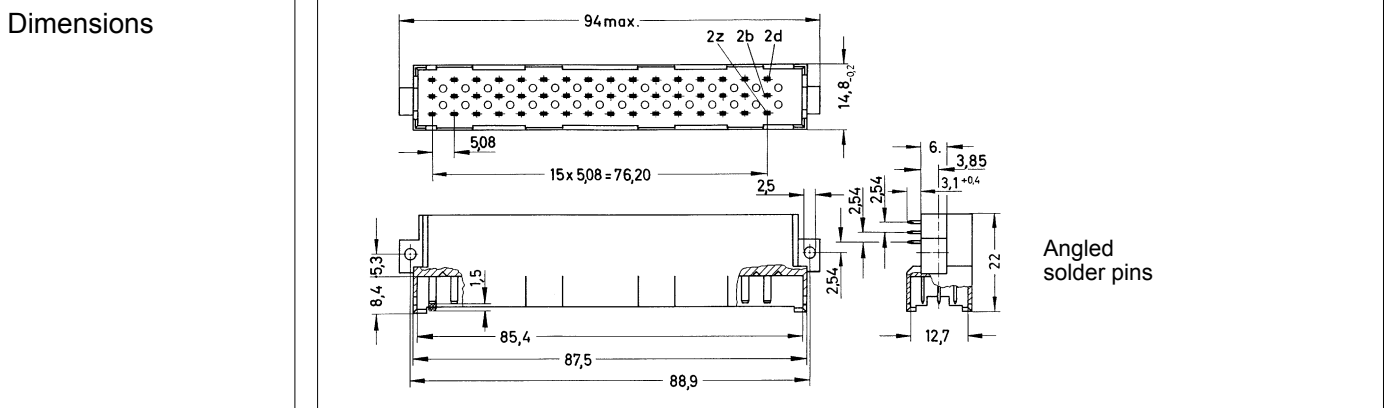
# 48, 32



Male connectors

Identification	No. of contacts	Contact arrangement	Performance levels according to IEC 60603-2. Explanation chapter 00			
			Part number 3	2	1	
Male connector with angled solder pins <sup>1)</sup>	48		09 06 148 7901	09 06 148 6901 09 06 148 6901 222 <sup>f)</sup> 09 06 348 6901 <sup>b)</sup> 09 06 348 6901 222 <sup>b)f)</sup>	09 06 148 2901 09 06 148 2901 222 <sup>f)</sup>	
					09 06 148 6951 <sup>d)</sup> 09 06 348 6951 <sup>b)d)</sup>	09 06 348 2951 <sup>b)d)</sup>
	32		09 06 132 7901 09 06 332 7901 <sup>b)</sup>	09 06 132 6901 09 06 132 6901 222 <sup>f)</sup>	09 06 132 2901	
				09 06 132 7931	09 06 132 6931 09 06 132 6931 222 <sup>f)</sup> 09 06 332 6931 <sup>b)</sup>	09 06 132 2931 09 06 332 2931 <sup>b)</sup>
	1 leading contact (position z 32)	47 + 1			09 06 148 6921 09 06 348 6921 <sup>b)</sup>	09 06 148 2921
		31 + 1		09 06 132 7921	09 06 132 6921	09 06 132 2921
2 leading contacts (positions b 2 + b 32)	46 + 2			09 06 148 6925 09 06 148 6925 222 <sup>f)</sup>	09 06 148 2925	

DIN Power up to 6 A



03  
27

Other contact arrangements on request  
<sup>1)</sup> With shroud coding, see also chapter 00  
<sup>b)</sup> Connectors with snap-in clips see chapter 00

<sup>d)</sup> CTI > 400  
<sup>f)</sup> Railway classification NFF 16-101, Smoke index: F1, Flammability class: I2