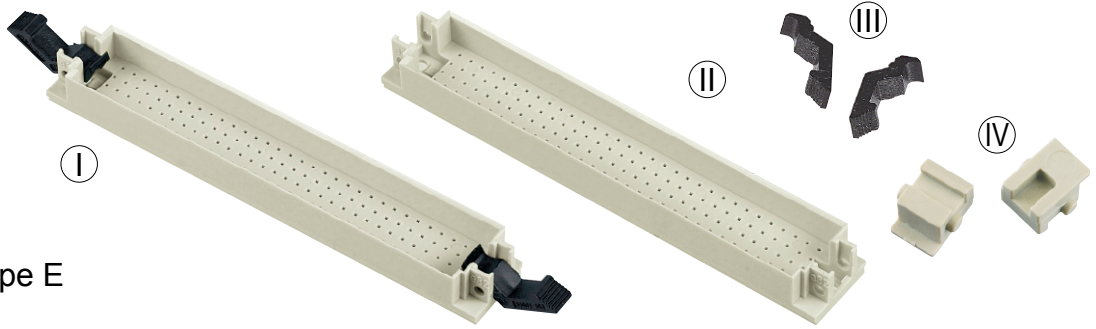


Number of contacts

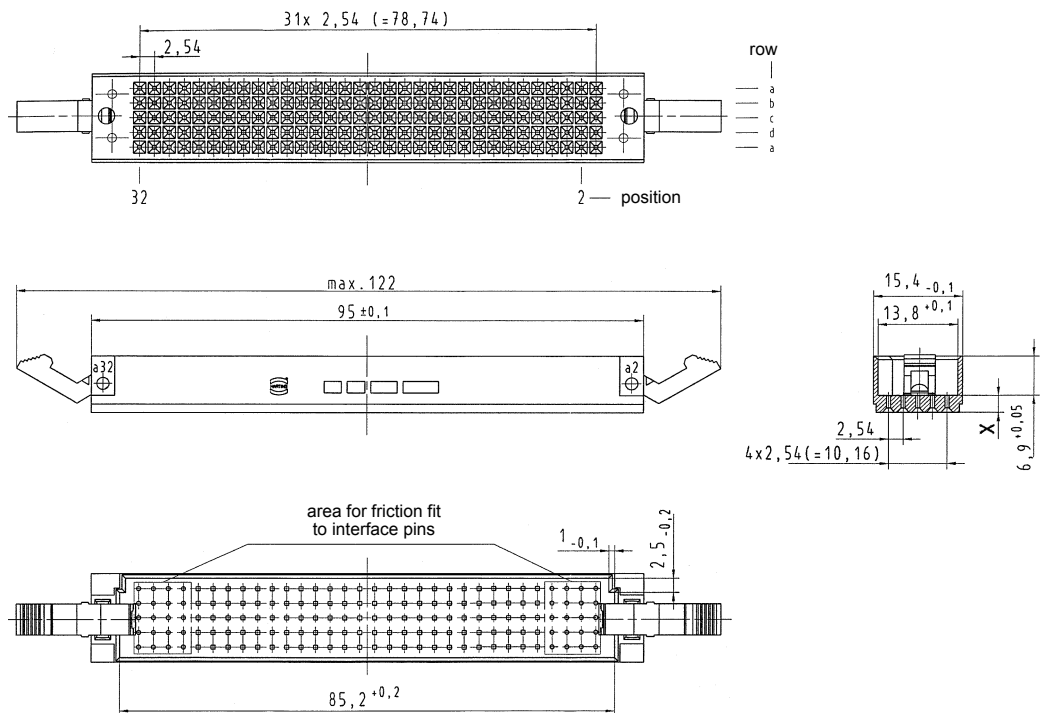
# 48



Pin shrouds for type E with press-in pins

Identification	pcb-thickness + 0.2 / - 0.3	Dimension X - 0.1	Part number
Pin shrouds			
I with locking levers	2.8	3.6	09 05 000 9924
II without locking levers	2.8	3.6	09 05 000 9914 <sup>f)</sup>
I with locking levers	3.4	3.0	09 05 000 9922
II without locking levers	3.4	3.0	09 05 000 9912 <sup>f)</sup>
III Locking lever for female connector type E <sup>1)</sup>			09 03 000 9914
IV Fixing brackets for shell housing C <sup>1)</sup>			09 03 000 9921 <sup>f)</sup>

## Dimensions



Dimensions in mm

<sup>1)</sup> order 2 pieces per connector

<sup>f)</sup> Railway classification NFF 16-101, Smoke index: F1, Flammability class: I2