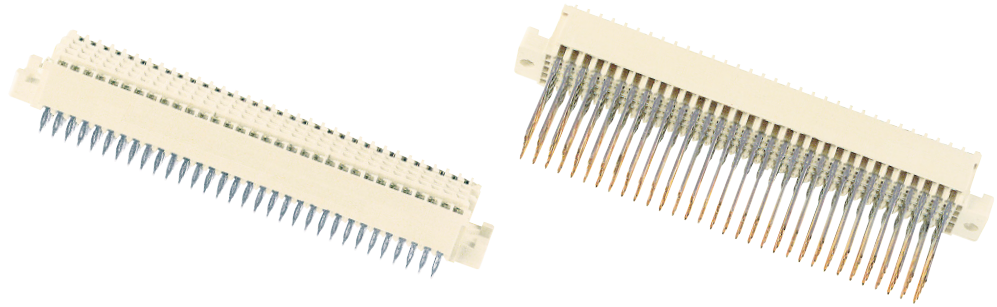


Number of contacts

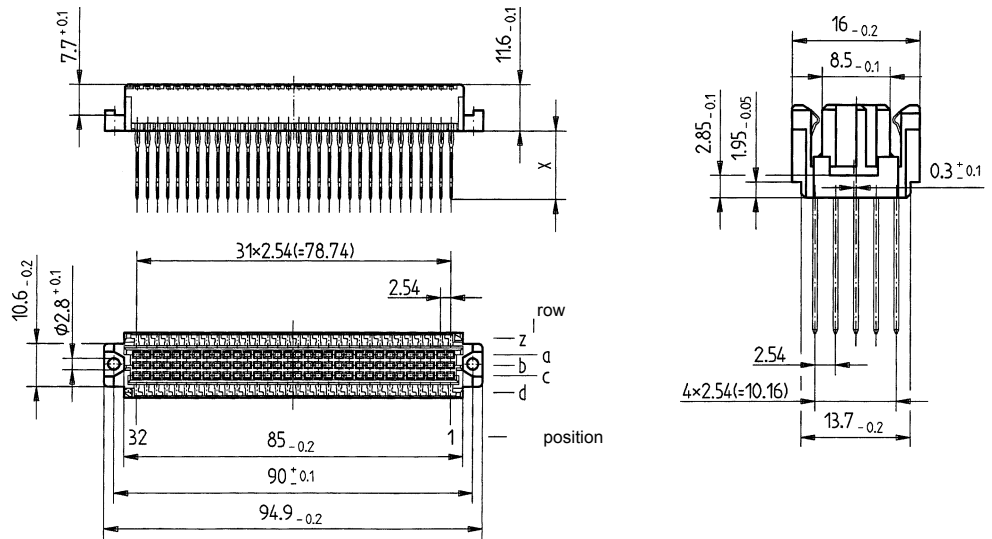
160



Female connectors

| Identification | No. of contacts | Contact arrangement | Part number | Performance levels according to IEC 61 076-4-113 | |
|---|-----------------|---------------------|----------------|--|----------------|
| | | | | 2 | 1 |
| Female connectors, straight ²⁾ with press-in terminations | | | | | |
| with fixing flange | 3.7 mm | 160 | | | 02 02 160 1601 |
| | 4.5/5 mm | 160 | 02 02 160 2201 | | 02 02 160 1201 |
| | 17 mm* | 160 | 02 02 160 2301 | | 02 02 160 1301 |
| without fixing flange | 5 mm | 160 | 02 02 160 2202 | | 02 02 160 1202 |
| | 17 mm* | 160 | 02 02 160 2302 | | 02 02 160 1302 |
| with solder pins | 2.9 mm | 160 | 02 02 160 2804 | | |

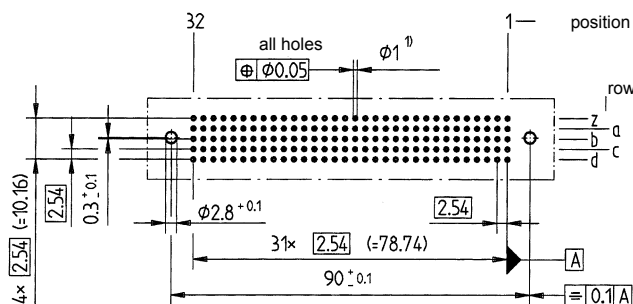
Dimensions



| Part number | Dimension "X" for row | | | | |
|---------------------------------|-----------------------|------|------|------|------|
| | z | a | b | c | d |
| 02 02 160 1601 | 3.7 | 3.7 | 3.7 | 3.7 | 3.7 |
| 02 02 160 2201 / 02 02 160 1201 | 5.0 | 4.5 | 4.5 | 4.5 | 5.0 |
| 02 02 160 2301 / 02 02 160 1301 | 17.0 | 17.0 | 17.0 | 17.0 | 17.0 |
| 02 02 160 2202 / 02 02 160 1202 | 5.0 | 5.0 | 5.0 | 5.0 | 5.0 |
| 02 02 160 2302 / 02 02 160 1302 | 17.0 | 17.0 | 17.0 | 17.0 | 17.0 |
| 02 02 160 2804 | 2.9 | 2.9 | 2.9 | 2.9 | 2.9 |

Board drillings

Mounting side



Dimensions in mm

Tooling see chapter 30

¹⁾ Press-in technology and refer to recommended configuration of pcb holes, see page 00.25

* selectively gold-plated