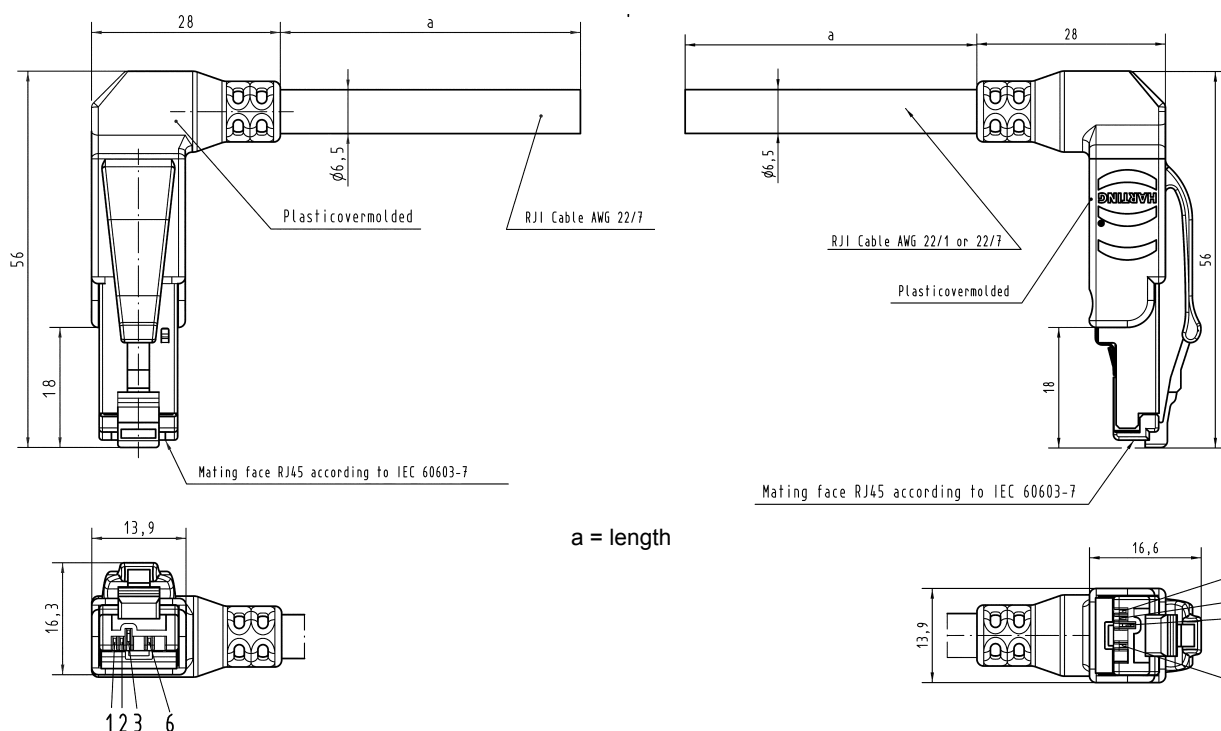


Identification	Part No.				
	angled left	angled right	angled top	angled bottom	
HARTING RJ Industrial® System cable RJ45, 4-wire, angled one side pre-assembled, second side open Type A	Length: a = 1.5 m	09 47 050 0003	09 47 060 0003	09 47 030 0003	09 47 040 0003
	a = 3.0 m	09 47 050 0005	09 47 060 0005	09 47 030 0005	09 47 040 0005
	a = 5.0 m	09 47 050 0007	09 47 060 0007	09 47 030 0007	09 47 040 0007
	a = 10.0 m	09 47 050 0012	09 47 060 0012	09 47 030 0012	09 47 040 0012
	a = 20.0 m	09 47 050 0014	09 47 060 0014	09 47 030 0014	09 47 040 0014
HARTING RJ Industrial® System cable RJ45, 4-wire, angled one side pre-assembled, second side open Type B	Length: a = 1.5 m	09 47 050 0025	09 47 060 0025	09 47 030 0025	09 47 040 0025
	a = 3.0 m	09 47 050 0027	09 47 060 0027	09 47 030 0027	09 47 040 0027
	a = 5.0 m	09 47 050 0029	09 47 060 0029	09 47 030 0029	09 47 040 0029
	a = 10.0 m	09 47 050 0034	09 47 060 0034	09 47 030 0034	09 47 040 0034
	a = 20.0 m	09 47 050 0036	09 47 060 0036	09 47 030 0036	09 47 040 0036
HARTING RJ Industrial® System cable RJ45, 4-wire, angled one side pre-assembled, second side open Type C	Length: a = 1.5 m	09 47 050 0047	09 47 060 0047	09 47 030 0047	09 47 040 0047
	a = 3.0 m	09 47 050 0049	09 47 060 0049	09 47 030 0049	09 47 040 0049
	a = 5.0 m	09 47 050 0051	09 47 060 0051	09 47 030 0051	09 47 040 0051
	a = 10.0 m	09 47 050 0056	09 47 060 0056	09 47 030 0056	09 47 040 0056
	a = 20.0 m	09 47 050 0058	09 47 060 0058	09 47 030 0058	09 47 040 0058

single ended



Further cable lengths are available on request