

Number of contacts

4-64



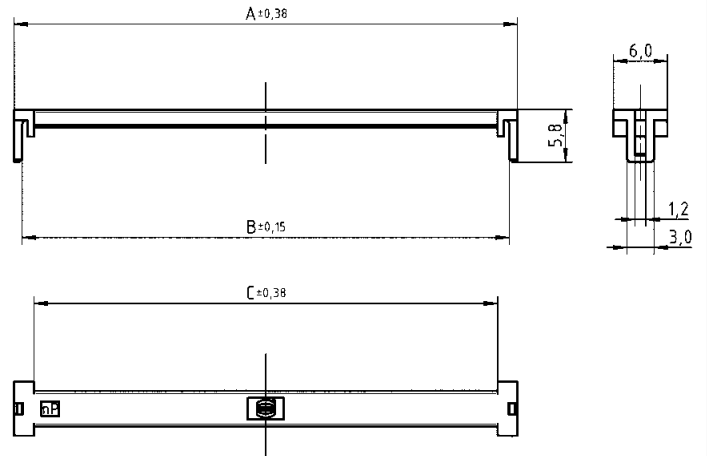
Strain relief clamp

Identification	No. of contacts	Part number	Drawing	Dimensions in mm
----------------	-----------------	-------------	---------	------------------

Strain relief clamp

4	98 18 104 9002*
6	98 18 106 9002*
8	98 18 108 9002*
10	98 18 110 9002*
14	98 18 114 9002*
16	98 18 116 9002*
20	98 18 120 9002*
24	98 18 124 9002*
26	98 18 126 9002*
30	98 18 130 9002*
34	98 18 134 9002*
40	98 18 140 9002
50	98 18 150 9002*
60	98 18 160 9002
64	98 18 164 9002*

No. of contacts	A	B	C
4	10.38	8.58	5.98
6	12.92	11.12	8.52
8	15.46	13.66	11.06
10	18.00	16.20	13.60
14	23.08	21.28	18.68
16	25.62	23.82	21.22
20	30.70	28.90	26.30
24	35.78	33.98	31.38
26	38.32	36.52	33.92
30	43.40	41.60	39.00
34	48.48	46.68	44.08
40	56.10	54.30	51.70
50	68.80	67.00	64.40
60	81.50	79.70	77.10
64	86.58	84.78	82.18



* Available on request