



## HARTING RJ Industrial® RJ45 jacks with transformer

### Advantages

- Compact design
- Integrated optical fibres
- Excellent EMC behaviour due to integrated transformers and filters for 10/100 Mbit or 1 Gbit Ethernet
- SMC compatible
- Versions from 10/100 Mbit up to 10 Gbit Ethernet and PoE
- Usable for IP65 / IP67 device integration with HARTING PushPull and Han® 3 A RJ45

### Technical characteristics

Mating face	RJ45 acc. to IEC 60603-7
Number of contacts	8
Degree of protection	IP20
Rated voltage	30 V DC
Rated current	8 mA DC
Mating cycles	min. 750
Temperature range	-25 °C ... +70 °C

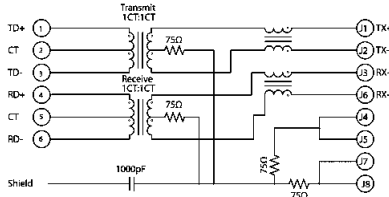
Identification	Part number	Drawing	Dimensions in mm
----------------	-------------	---------	------------------

#### Components device side

#### RJ45 jack with transformer (low profile)

90° angled, THT  
10/100 Mbit Ethernet

Schematic:

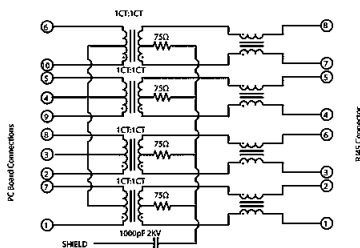


10/100 Mbit Ethernet and PoE

09 45 551 1130<sup>1)</sup>

90° angled, THT  
1 Gbit Ethernet

Schematic:



1 Gbit Ethernet and PoE

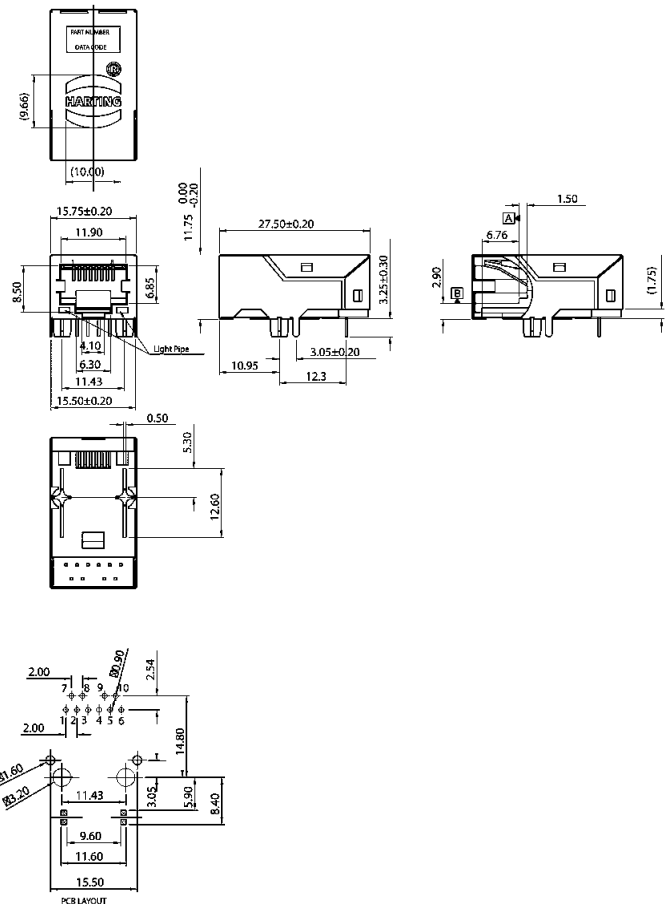
09 45 551 1131<sup>1)</sup>

09 45 551 1530<sup>1)</sup>

09 45 551 1531<sup>1)</sup>

90° angled, THT  
10 Gbit Ethernet

09 45 551 1560<sup>1)</sup>



Customer specific versions on request

<sup>1)</sup> Packaging: Blister à 56 pieces