



Han® PushPull, type acc. to IEC 61 076-3-118
Panel feed-through, 5-poles, 690 V, 16 A

Features

- HARTING PushPull technology
- Compact, space-saving design
- Touch-proof
- Panel feed-through: male
 - crimp termination
 - Han-Quick Lock® termination technology
- 4 times coding without contact loss
- NEW: Larger termination cross section for conductors 0.25 - 1.5 mm²

Technical characteristics

Locking	PushPull technology acc. to IEC 61 076-3-117 variant 14 acc. to IEC 61 076-3-118
Mating face	acc. to IEC 61 076-3-118
Degree of protection	IP65 / IP67
Number of contacts	4 + PE
Electrical data	
acc. to DIN EN 61 984	16 A 690 V 4 kV 3
Termination cross section	0.25 – 2.5 mm ²
Mating cycles	min. 500
Temperature range	-40 °C ... +70 °C
Housing material	Plastic, black
Flammability acc. to UL 94	V0

Identification Part number Drawing Dimensions in mm

**Han® PushPull Power 4/0
Panel feed-through M25**

5-poles, 690 V / 16 A
incl. bulkhead housing
and male insert,
circular panel cut out

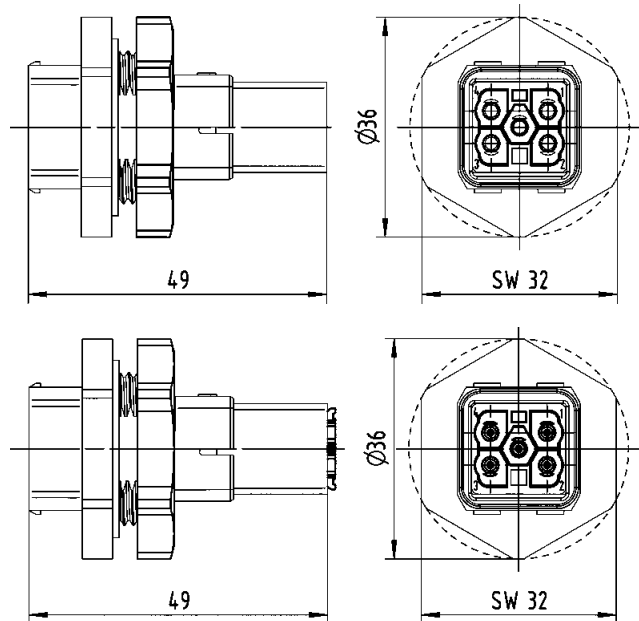
with crimp termination
(Order crimp male contacts
separately)

09 35 231 0332

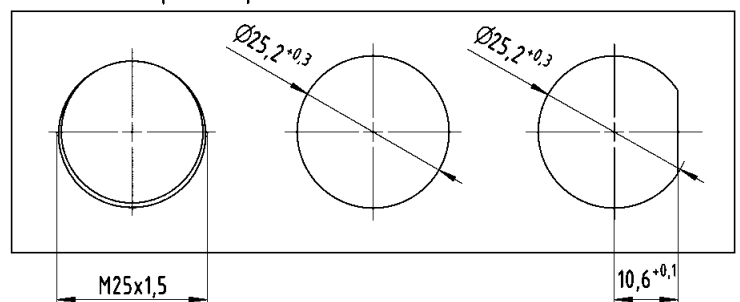
with Han-Quick Lock®
termination

0.5 ... 2.5 mm²
0.25 ... 1.5 mm²

09 35 232 0332
09 35 234 0332



possible panel cut outs - thickness max. 3 mm



Coding element

10 pieces each for device and
cable side
enables 4 times coding without
contact loss

09 35 000 6190

PushPull