

Technical characteristics

Limiting temperature -40 ... +125 °C
Material (cable glands) Polyamide (PA)

Technical characteristics

Colour (accessories) RAL 9005 (jet black)
RoHS compliant

Identification	Size	Clamping range (mm)	Part number	Drawing (dimensions in mm)
----------------	------	---------------------	-------------	----------------------------

Han-Eco®,
Cable gland



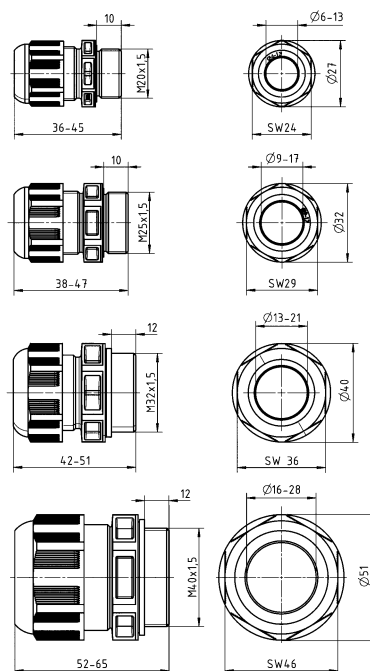
M20
M25
M32
M40

6 ... 13
9 ... 17
13 ... 21
16 ... 28

19 41 000 5111
19 41 000 5121
19 41 000 5131
19 41 000 5141

Tightening torque

	Fitting	Cap nut
M20	4 Nm	3 Nm
M25	10 Nm	4 Nm
M32	15 Nm	4 Nm
M40	20 Nm	20 Nm



Han-Eco®,
Reduction seal insert



M32
M40

9 ... 14
12 ... 20

19 41 000 5132
19 41 000 5142