

Han Eco

Identification

Cable entry

Clamping range (mm)

Part number

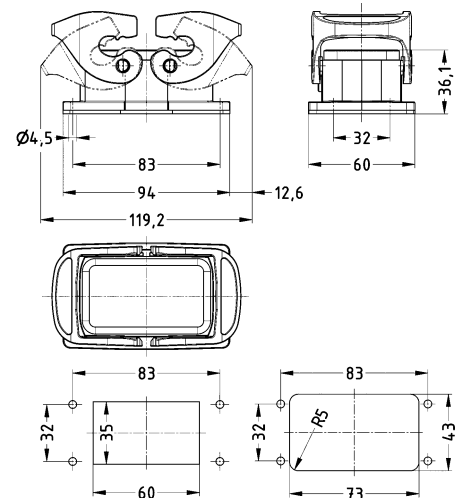
Drawing (dimensions in mm)

Han-Eco® B,  
Bulkhead mounted housing,  
Without frame,  
IP66



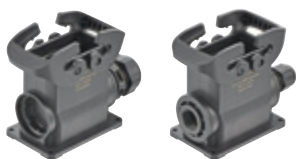
Please order frame 19 43 010 0001 separately.

19 43 010 0310



Panel cut out  
Front mounting / Rear mounting

Han-Eco® B,  
Surface mounted housing,  
With integrated cable gland,  
Side entry,  
IP66



1x M20  
1x M25  
1x M32  
1x M40  
2x M20  
2x M25  
2x M32

6 ... 13  
9 ... 17  
13 ... 21  
16 ... 28  
6 ... 13  
9 ... 17  
13 ... 21

19 43 110 0230  
19 43 110 0231  
19 43 110 0232  
19 43 110 0233  
19 43 110 0270  
19 43 110 0271  
19 43 110 0272

