
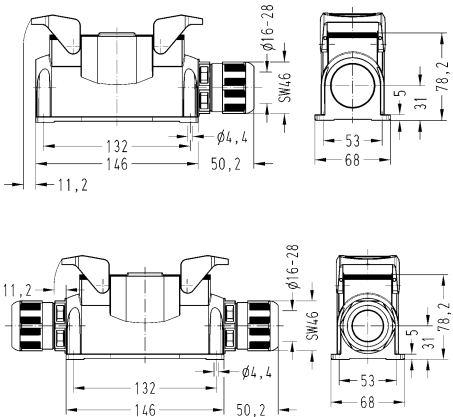

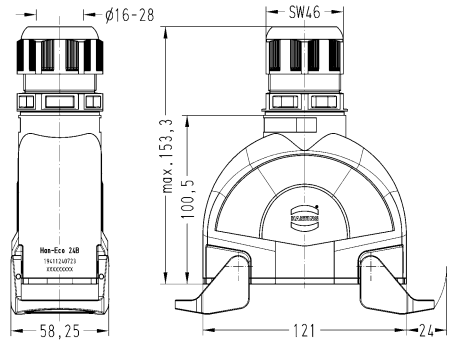





Han Eco

Identification	Cable entry	Clamping range (mm)	Part number	Drawing (dimensions in mm)
<p>Han-Eco® Modular, Surface mounted housing, With integrated cable gland, Side entry, IP65</p> 	<p>1x M40 2x M40</p>	<p>16 ... 28 16 ... 28</p>	<p>19 41 324 0233 19 41 324 0273</p>	
<p>Han-Eco® Modular, Cable to cable housing, With integrated cable gland, Top entry, IP65</p> 	<p>1x M40</p>	<p>16 ... 28</p>	<p>19 41 324 0723</p>	
<p>Han-Eco® Modular, Protection cover, for hoods, IP65</p>  <p>Han-Eco® Modular, Protection cover, for hoods, With fixing cord (loop), IP65</p>  <p>Han-Eco® Modular, Protection cover, for bulkhead mounted housings, for surface mounted housings, for cable to cable housing, With fixing cord (loop), IP65</p> 			<p>19 41 224 5406</p> <p>19 41 224 5407</p> <p>19 41 024 5402</p>	