
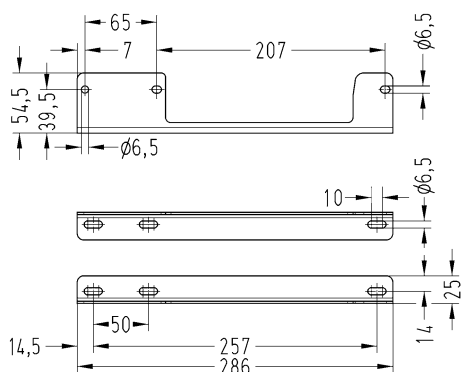

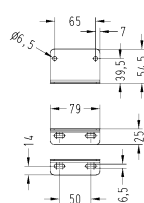

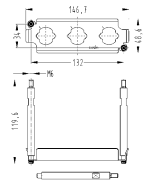

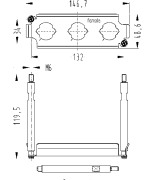


Han  
HC

Identification	Cable entry	Conductor cross-section (mm <sup>2</sup> )	Part number	Drawing (dimensions in mm)
<p>Han® HPR EasyCon, Mounting panel, Long version, for hoods, for surface mounted housings, Pack contents: 6x M6 screw, 6x washer SK S6</p> 			09 40 000 9925	 <p>Tightening torque Fixing screws M6: 6 Nm</p>
<p>Han® HPR EasyCon, Mounting panel, Short version, for hoods, for surface mounted housings, Pack contents: 4x M6 screw, 4x washer SK S6</p> 			09 40 000 9926	 <p>Tightening torque Fixing screws M6: 6 Nm</p>
<p>Han® HPR EasyCon, Frame, for male inserts, 3x Han® HC Modular 250, Pack contents: 2x distance bolt (SW 7), 2x M4 screw, 2x washer SK S4</p> 			09 40 024 9901	 <p>Tightening torque Distance bolt 6 Nm Tightening torque Fixing screws M4: 1.5 Nm</p>
<p>Han® HPR EasyCon, Frame, for female inserts, 3x Han® HC Modular 250, Pack contents: 2x distance bolt (SW 7), 2x M4 screw, 2x washer SK S4</p> 			09 40 024 9902	 <p>Tightening torque Distance bolt 6 Nm Tightening torque Fixing screws M4: 1.5 Nm</p>