
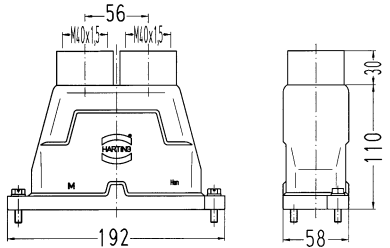

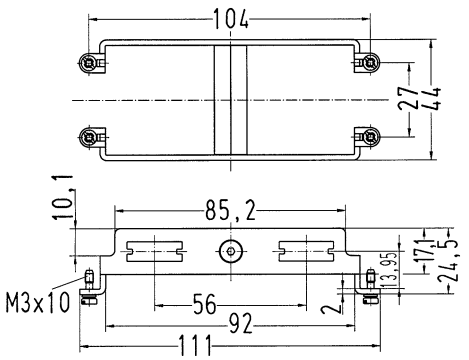


Hoods/housings for harsh outdoor environments
Screw locking

Han
HC

Identification	Cable entry	Part number	Drawing (dimensions in mm)
<p>Han® HPR, Hood, With adapter, Top entry, IP65, IP68, IP69 / IPX9K acc. to ISO 20653</p> 	<p>2x M40</p>	<p>19 40 024 0438</p>	
<p>Han® HPR, Frame, for male inserts, for female inserts, 2x Han® HC Modular 650</p> 		<p>09 11 000 9972</p>	 <p>Tightening torque Fixing screws M3: 0.5 Nm Tightening torque M4: 1.5 Nm</p>