

## Features

- Robust housing
- Compact design saves space
- Modular structure increases flexibility
- Simple and quick assembly
- Two-part hood

## Technical characteristics

Limiting temperature	-40 ... +125 °C
Mating cycles	≥500
Degree of protection acc. to IEC 60529	IP65, locked condition
Material (hood/housing)	Zinc die-cast
Surface (hood/housing)	Nickel plated
Material (seal)	NBR
Material (locking)	Stainless steel
Material (accessories)	Metal
RoHS	compliant

## Specifications and approvals

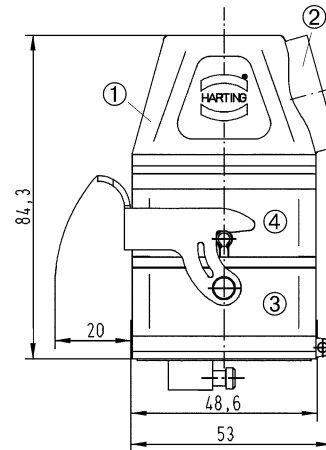
IEC 61984



## Details

Conductor cross-section PE 0.5 ... 10 mm<sup>2</sup>

Conductor cross-section 10 mm<sup>2</sup> only with ferrule crimping tool 09 99 000 0374



- ① Hood with side entry
- ② Cable entry M25
- ③ Bulkhead mounted housing with locking lever
- ④ Carrier hood