
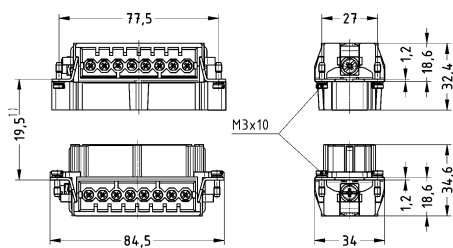
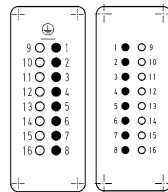
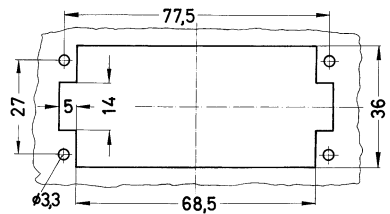


Number of contacts

# 16+

16 A 400 V 6 kV 3

Ther-  
mo

Identification	Conductor cross-section (mm <sup>2</sup> )	Part number		Drawing (dimensions in mm)
		Male	Female	
Han <sup>®</sup> Thermocouple, Han E <sup>®</sup> , Screw termination, With wire protection 	1 ... 2.5	09 33 016 2691	09 33 016 2791	 <p>1) distance for contact max. 21 mm</p>  <ul style="list-style-type: none"> <li>◆ Fe</li> <li>○ CuNi</li> </ul>  <p>Panel cut out</p>