
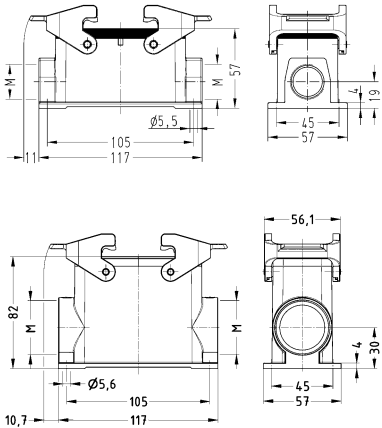

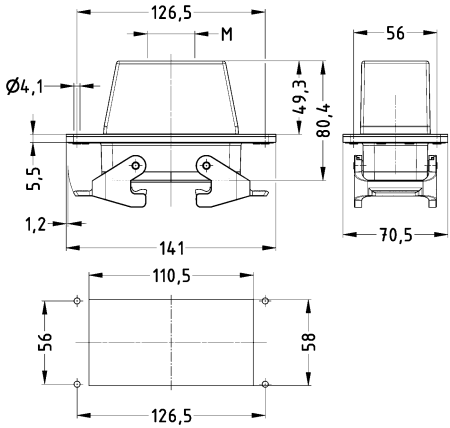





Housings

Identification	Cable entry	Part number		Drawing (dimensions in mm)
		Low construction	High construction	
Han® EMC/B, Surface mounted housing, Side entry, Han-Easy Lock®, IP65 	2x M25 2x M40	19 62 816 1271	19 62 816 0273	
Han® EMC/B, Panel feed through housing, Top entry, Han-Easy Lock®, IP65 	1x M32 1x M40		19 62 816 1121 19 62 816 1122	 <p>Panel cut out</p>
Han® EMC/B, Protection cover, for bulkhead mounted housings, for surface mounted housings, Metal, With fixing cord, IP65  <p>Not suitable for housings with external seals.</p>		09 62 816 5425	09 62 816 5425	