
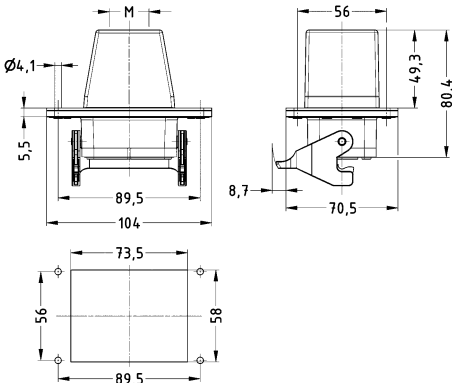



Housings

Identification	Cable entry	Part number		Drawing (dimensions in mm)
		Low construction	High construction	
Han® EMC/B, Panel feed through housing, Top entry, Han-Easy Lock®, IP65 	1x M25 1x M32		19 62 806 1121 19 62 806 1122	 <p>Panel cut out</p>
Han® EMC/B, Protection cover, for bulkhead mounted housings, for surface mounted housings, Metal, With fixing cord, IP65  Not suitable for housings with external seals.		09 62 806 5425	09 62 806 5425	