
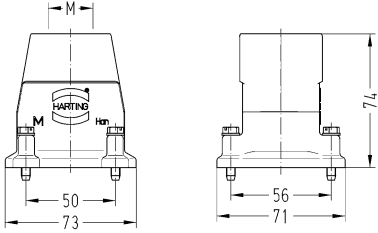

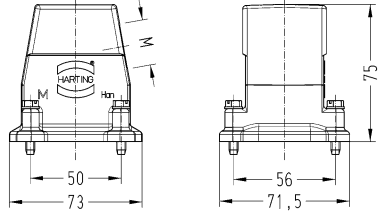

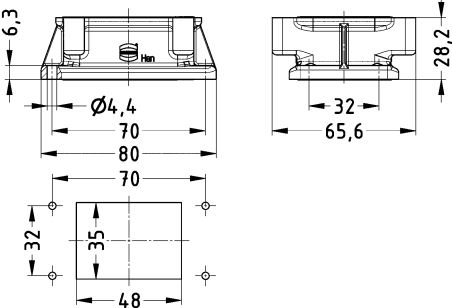


Hoods/Housings for higher EMC requirements  
Screw locking

Identification	Cable entry	Part number	Drawing (dimensions in mm)
Han® EMC, Hood, Top entry, IP65  	1x M25 1x M32	19 62 006 0441 19 62 006 0442	
Han® EMC, Hood, Side entry, IP65  	1x M25 1x M32	19 62 006 0541 19 62 006 0542	
Han® EMC, Bulkhead mounted housing, IP65  		09 62 006 0301	 <p>Panel cut out</p>