

Number of contacts

4+

40 A 400/690 V 6 kV 3
 + 2 additional signal contacts
 10 A 250 V 4 kV 3

Han-Power

Identification

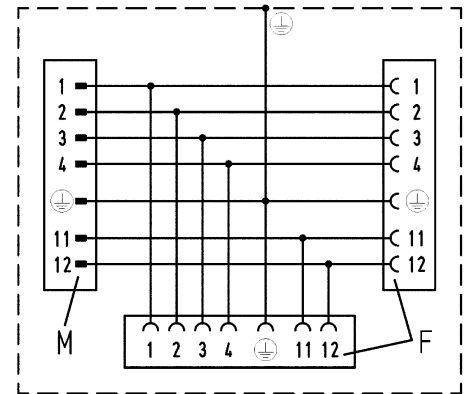
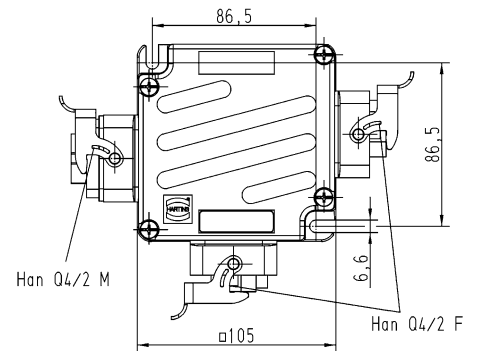
Han-Power® T,
 Energy distributor,
 With 3x Han® Q 4/2,
 in Han-Compact® Housings, bulkhead mounting



Part number

09 12 008 4720

Drawing
 (dimensions in mm)



Wiring diagram