
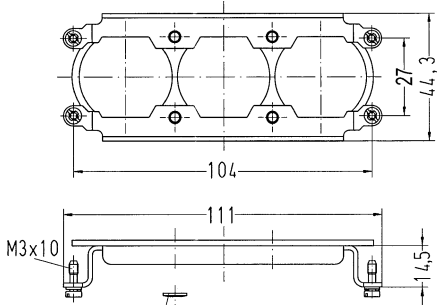



Identification	Cable entry	Size	Part number	Drawing (dimensions in mm)
<p>Han® HPR, Frame, for male inserts, for female inserts, 3x Han® HC Modular 350</p> 			09 11 000 9963	 <p>Tightening torque Fixing screws M3: 0.5 Nm Tightening torque Fixing screws M4: 1.5 Nm</p>
<p>Hexagonal adapter, With O-ring</p>  <p>to reach the electrical data up to 4000 V 18 kV 3</p>		M25	19 36 000 5134	