

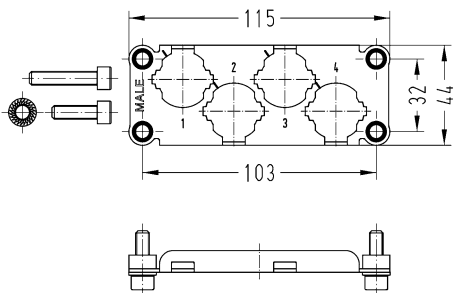




Hoods/housings for harsh outdoor environments
Screw locking

Han
HC

Identification	Cable entry	Part number	Drawing (dimensions in mm)
<p>Han® HPR, Hood, Enlarged, Top entry, IP65, IP68, IP69 / IPX9K acc. to ISO 20653</p> 	<p>2x M40 4x M25</p>	<p>19 40 016 0471 19 40 016 0478</p>	
<p>Han® HPR enlarged, Frame, for male inserts, 4x Han® HC Modular 250, Pack contents: 4x cheese-head screw M6 x 20, 4x washer SK S6</p> 		<p>09 11 000 9937</p>	 <p>Tightening torque Fixing screws M6: 10 Nm</p>