
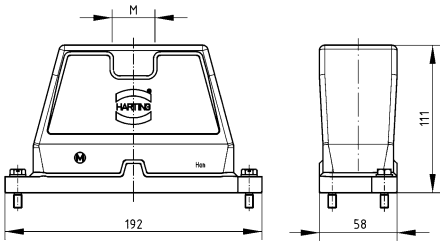


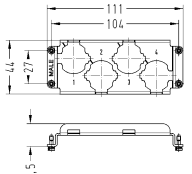
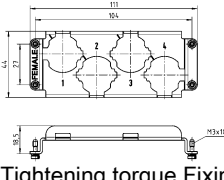


Hoods/housings for harsh outdoor environments  
Screw locking

Han  
HC

Identification	Cable entry	Part number	Drawing (dimensions in mm)
<p>Han® HPR, Hood, Top entry, IP65, IP68, IP69 / IPX9K acc. to ISO 20653</p> 	<p>4x M20 4x M25</p>	<p>19 40 024 0473 19 40 024 0474</p>	
<p>Han® HPR, Frame, for male inserts, 4x Han® HC Modular 250</p>  <p>Han® HPR, Frame, for female inserts, 4x Han® HC Modular 250</p> 		<p>09 11 000 9925</p> <p>09 11 000 9942</p>	 <p>Tightening torque Fixing screws M3: 0.5 Nm</p>  <p>Tightening torque Fixing screws M3: 0.5 Nm</p>